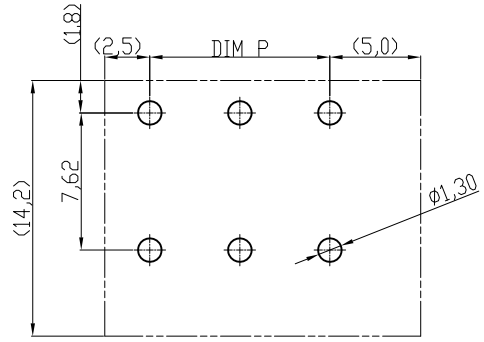
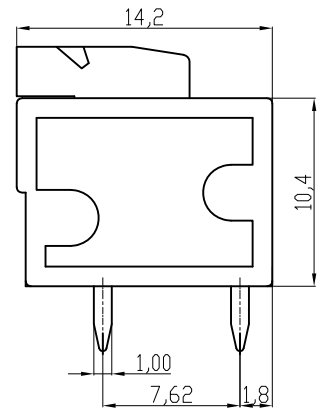
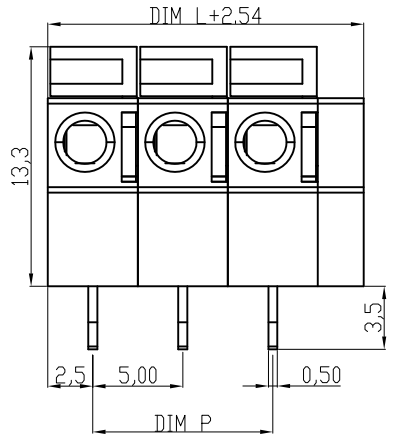


A
B
C
D
E
F
G
H

Material
 ①Terminal body(Contact pin):Brass
 ②Wire guard: Stainless steel
 ③Surface of solder tail: Tin plated
 ④Insulator(housing): Thermoplastic (UL94V-0) , GREEN

Electrical cULus/VDE
 Voltage rating: 300VAC/250VAC
 Current rating: 10A/10A
 Wire range:0.75-1.5mm²
 Solid wire(AWG): 14-24
 Stranded wire(AWG): 14-24
 Pull force:
 Screw:
 Wire strip length: 9-10mm
 Withstanding Voltage: 1.6KV/2KV
 Operating temperature: -40°C to +115°C
 Soldering temperature: 250°C±10°C/5 Sec
 Safety Approval: cULus UDE



RECOMMENDER PCB LAYOUT

DIMENSION

L	Nx5.0
P	(N-1)x5.0

N=Number of poles

Poles	Tolerance	
	DIM L	DIM P
2p-6p	±0.15	±0.10
7p-12p	±0.20	±0.20
13p-18p	±0.30	±0.25
19p-24p	±0.40	±0.30

RoHS compliant

Scale	1:1						Date	Name	Customer-No.
TOLERANCE							Drawn	19.04.2010	Alex
X.	±0.50						Approved	19.04.2010	Hellwig
X.X	±0.30								
X.XX	±0.10								
DIM	TOL								Drawing-No.
X.°	±1°								ASS 4125 CO
		©	Drawn	19.04.2010	Alex				rev00
Angle	TOL	Id.	Modification	Date	Name			Replace	Sheet

ASSMANN WSW-No.
A-TB500-HAxxH
 Drawing-No.
ASS 4125 CO rev00
 Replace Sheet