

1

2

3

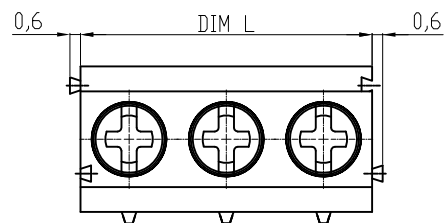
4

5

6

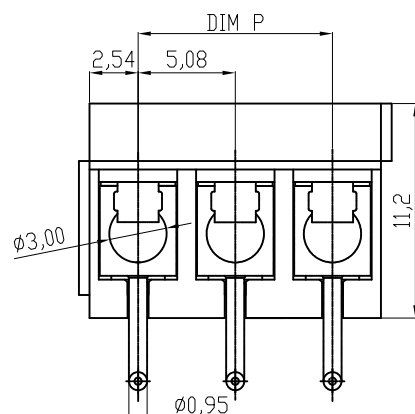
7

A

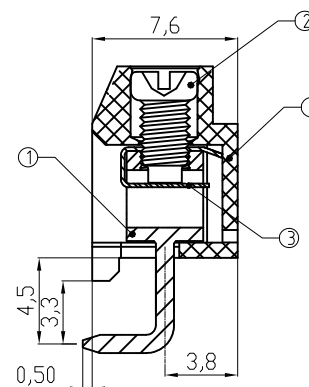


B

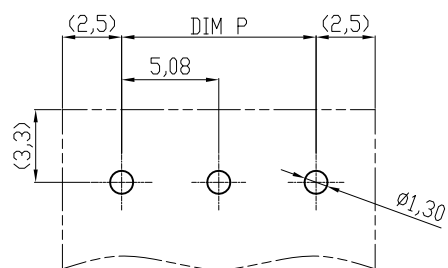
C



D



E



F

## Material

- ① Terminal body (metal housing): Brass (CuZn), Tin plated
- ② Terminal screw: Steel Zinc plating "+/-" slot type
- ③ Wire guard: Stainless steel
- ④ Insulator (housing): Thermoplastic (UL94V-0), GREEN

## Electrical cULus

- Voltage rating: 300V
- Current rating: 15A
- Wire range:
- Solid wire (AWG): 14-24
- Stranded wire (AWG): 14-24
- Torque (Lb-In): 3.2
- Screw: M2.6
- Wire strip length: 5-6mm
- Withstanding Voltage: 1.6KV
- Operating temperature: -40°C to +115°C
- Soldering temperature: 250°C ± 10°C / 5 Sec
- Safety Approval: cULus

A

B

C

D

E

## DIMENSION

L	Nx5,08
P	(N-1)x5,08

N=Number of poles

Poles	Tolerance	
	DIM L	DIM P
2p-6p	±0.15	±0.10
7p-12p	±0.20	±0.20
13p-18p	±0.30	±0.25
19p-24p	±0.35	±0.30

F

RECOMMENDER PCB LAYOUT

RoHS compliant

G

H

Scale	1:1					Date	Name	Customer-No.	
TOLERANCE						Drawn	19.04.2010	Alex	
X.	±0.50					Approved	19.04.2010	Hellwig	
X.X	±0.30								
X.XX	±0.10								
DIM	TOL							Drawing-No.	
X.°	±1°							ASSMANN WSW-No. <b>A-TB508-T9xx</b>	
		①	Drawn	19.04.2010	Alex			ASS 4156 CO	rev00
Angle	TOL	Id.	Modification	Date	Name			Replace	Sheet

G

H

1

2

3

4

5

6

7