

1

2

3

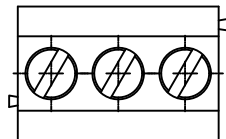
4

5

6

7

A



B

C

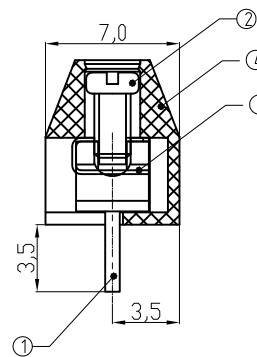
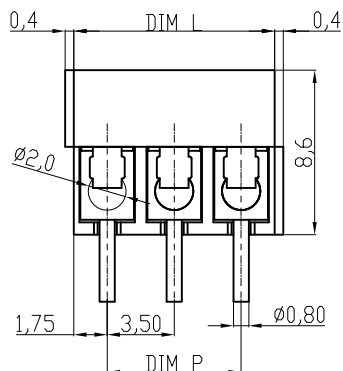
D

E

F

G

H

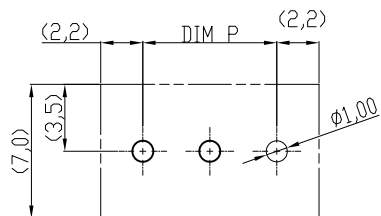


Material

- ① Terminal body(metal housing): Brass(CuZn),Tin plated
- ② Terminal screw: Steel Zinc plating "-" slot type
- ③ Wire guard:Stainless steel
- ④ Insulator (housing): Thermoplastic (UL94V-0) , GREEN

Electrical

Voltage rating: 125VAC
 Current rating: 10A
 Wire range:
 Solid wire(AWG): 16-26
 Stranded wire(AWG): 16-26
 Torque(Lb-In): 1.7
 Screw: M2
 Wire strip length: 5-6mm
 Withstanding Voltage: 1.25KV
 Operating temperature: -40°C to +115°C
 Soldering temperature: 250°C±10°C/5 Sec
 Safety Approval:



RECOMMENDER PCB LAYOUT

DIMENSION

L	Nx3.5
P	(N-1)x3.5

N=Number of poles

Poles	Tolerance	
	DIM L	DIM P
2p	±0.05	±0.05
3p-6p	±0.15	±0.15
7p-12p	±0.20	±0.20
13p-18p	±0.30	±0.30
19p-24p	±0.40	±0.40

RoHS compliant
Unit: mm

Scale	Free				Date	Name	Customer-No.
TOLERANCE					Drawn	Alex	ASSMANN WSW-No. 1 A-TB350-T5xx
X.	±0.50				Approved	Amy	
X.X	±0.30						Drawing-No.
X.XX	±0.10						ASS 4157 CO
DIM	TOL	① Update the WSW No.	08.10.2012	Amy			
X.°	±1°	② Drawn	19.04.2010	Alex			
Angle	TOL	Id.	Modification	Date	Name	Replace	Sheet

1

2

3

4

5

6

7

A

B

C

D

E

F

G

H