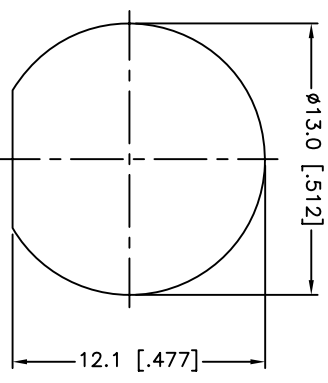
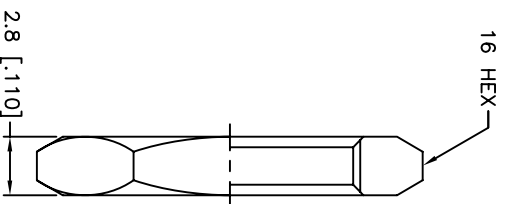
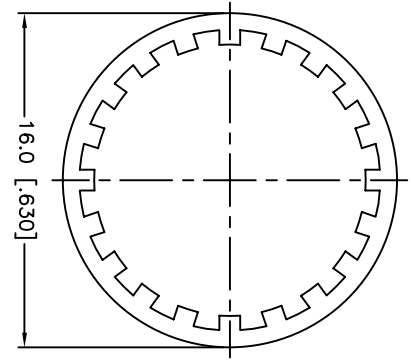
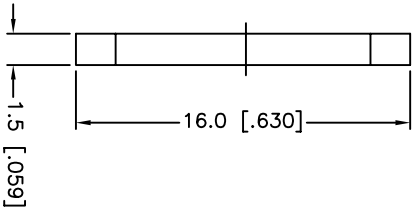
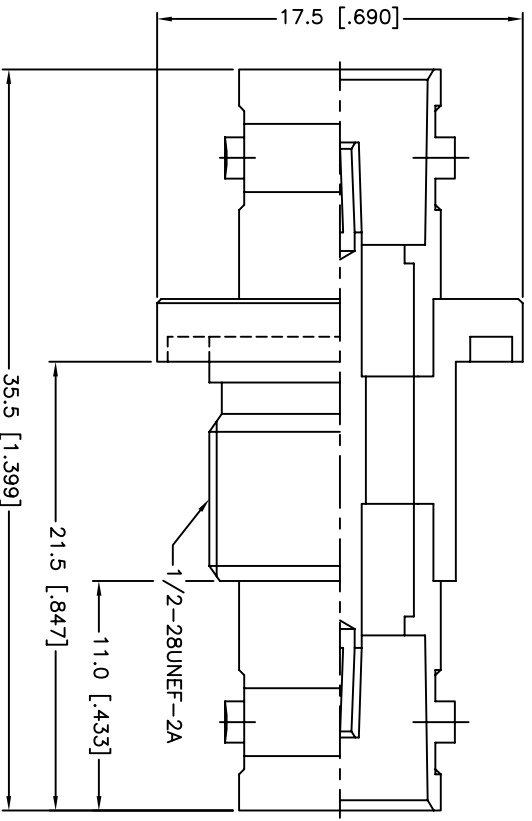


REV.	DATE	ECR NO.	DESCRIPTION
NC	10/12/09	XXXXXX	INITIAL RELEASE



RECOMMENDED  
MOUNTING HOLE

DESCRIPTION	MATERIAL	FINISH	QTY
7 HEX NUT	BRASS	NICKEL	1
6 LOCK WASHER	BRASS	NICKEL	1
5 GASKET	RUBBER	RED	1
4 CONTACT PIN	PHOSPHOR BRONZE	GOLD	1
3 INSULATOR	DELTRIN	NATURAL	1
2 BODY	BRASS	NICKEL	1
1 HOUSING	BRASS	NICKEL	1

UNLESS OTHERWISE SPECIFIED, DIMENSIONS ARE IN INCHES AND FOR CUSTOMER REFERENCE ONLY.  
TOLERANCES FOR MILLIMETERS ARE:  
UNLESS OTHERWISE SPECIFIED  
0.5 - 8mm ± 0.20mm  
8 - 30mm ± 0.40mm  
30 - 120mm ± 0.50mm  
TOLERANCES FOR INCHES ARE:  
UNLESS OTHERWISE SPECIFIED  
.020 - .315 = ± 0.007"  
.315 - 1.180 = ± 0.015"  
1.180 - 4.724 = ± 0.020"

APPROVALS	DATE
Drawn: Tangor	10/12/09
Checked:	
Issued:	
SHEET 1 OF 1	

**Amphenol Connex**

PART DESCRIPTION  
**BNC FEMALE TO FEMALE BULKHEAD ADAPTOR**

PART NO. 112436

DWG. NO. 112436.DWG

REV. NC SIZE A SCALE NA

CAD FILE C:/CONNEX/112436.DWG

DO NOT SCALE DRAWING