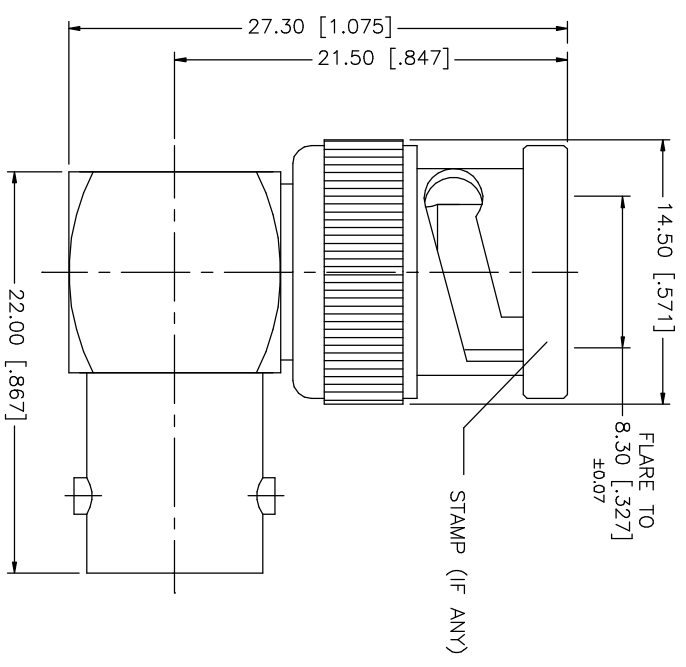


REV.	DATE	DESCRIPTION
A	06/05/03	UPDATE DRAWING FORMAT



QTY	FINISH	MATERIAL	DESCRIPTION
1	NICKEL	BRASS	COVER
1	GOLD	BRASS	CONTACT PIN
1	GOLD	PHOS. BRONZE	CONTACT PIN
1	NATURAL	DLEPIN	INSULATOR
1	NICKEL	BRASS	BODY
			DESCRIPTION

UNLESS OTHERWISE SPECIFIED DIMENSIONS ARE IN INCHES AND FOR CUSTOMER REFERENCE ONLY.	UNLESS OTHERWISE SPECIFIED DIMENSIONS ARE IN MILLIMETERS AND FOR CUSTOMER REFERENCE ONLY.
UNLESS OTHERWISE SPECIFIED TOLERANCES FOR MILLIMETERS ARE: 0.5 - 8mm ± 0.20mm 8 - 30mm ± 0.40mm 30 - 120mm ± 0.50mm	UNLESS OTHERWISE SPECIFIED TOLERANCES FOR INCHES ARE: .020 - .315 = ± 0.007" .315 - 1.180 = ± 0.015" 1.180 - 4.724 = ± 0.020"

APPROVALS	DATE
DRAWN G.R.S.	06/05/03
CHECKED	
ISSUED	
SHEET 1 OF 1	

PART DESCRIPTION	DWG. NO.	REV.	SIZE	SCALE
Amphenol Connex	112453.DWG	A	A	NA
BNC MALE TO FEMALE R/A ADAPTER				
PART NO. 112453				