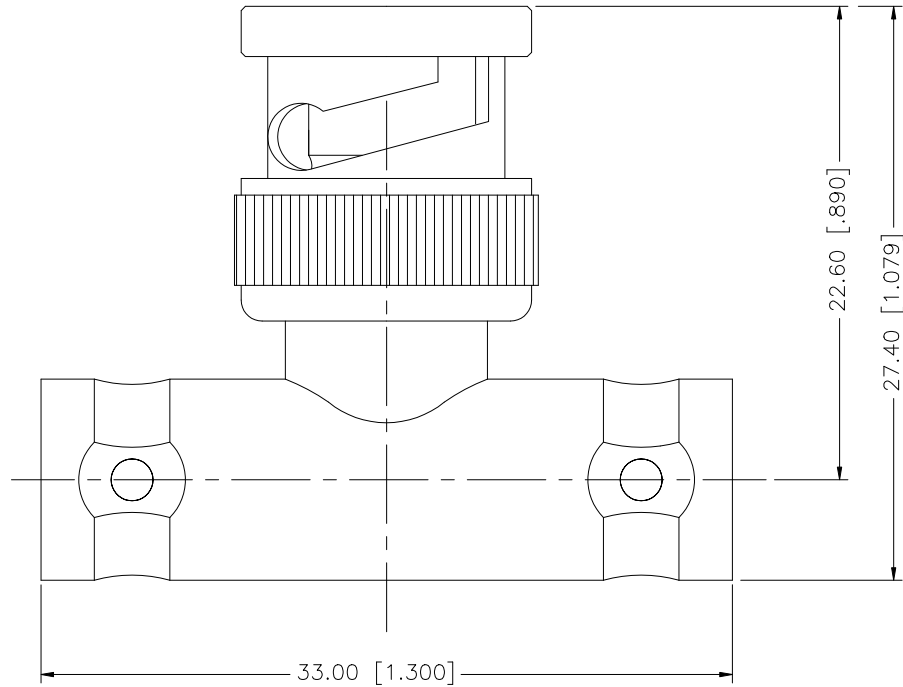


REV.	DATE	DESCRIPTION
NC	05/22/00	INITIAL RELEASE
A	07/16/07	UPDATE DRAWING FORMAT
B	01/09/08	REVISE BODY MATERIAL TO DIECAST, PLATING TO NICKEL



8				<p>UNLESS OTHERWISE SPECIFIED DIMENSIONS ARE IN MILLIMETERS. DIMENSIONS IN [] ARE IN INCHES AND FOR CUSTOMER REFERENCE ONLY.</p> <p>UNLESS OTHERWISE SPECIFIED TOLERANCES FOR MILLIMETERS ARE: 0.5 - 8mm ± 0.20mm 8 - 30mm ± 0.40mm 30 - 120mm ± 0.50mm</p> <p>UNLESS OTHERWISE SPECIFIED TOLERANCES FOR INCHES ARE: .020 - .315 = ± 0.007" .315 - 1.180 = ± 0.015" 1.180 - 4.724 = ± 0.020"</p> <p>DO NOT SCALE DRAWING</p>	APPROVALS	DATE	<h1 style="color: blue;">Amphenol Connex</h1>		
7					DRAWN	G.R.S.		01/09/08	PART DESCRIPTION BNC "T" ADAPTER / JACK-PLUG-JACK 50ohm
6					CHECKED				
5					ISSUED				
4					SHEET	1 OF 1			
3	CONTACT PIN	BRASS	GOLD	1			PART NO.	112461	
2	INSULATOR	DELRIN	NATURAL	1			DWG. NO.	112461.DWG	
1	BODY	DIECAST	NICKEL	1			REV. B	SIZE A	SCALE NA
	DESCRIPTION	MATERIAL	FINISH	QTY		CAD FILE			
						C:/112/112461.DWG			