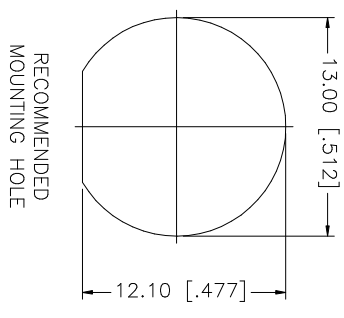
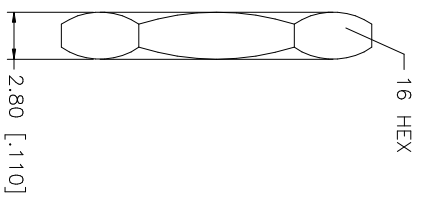
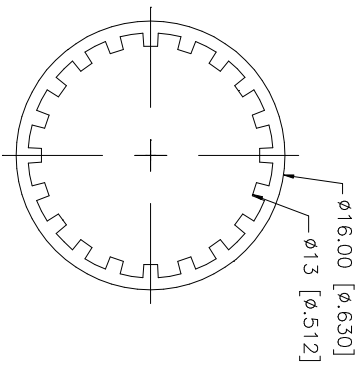
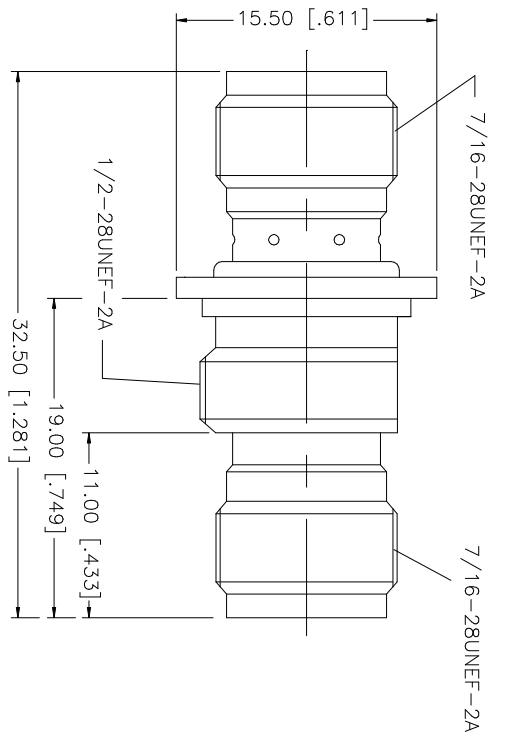


REV.	DATE
NC	05/31/06

DESCRIPTION  
INITIAL RELEASE



UNLESS OTHERWISE SPECIFIED DIMENSIONS ARE IN MILLIMETERS. DIMENSIONS IN [ ] ARE IN INCHES AND FOR SUBSTITUTED REFERENCE ONLY.	UNLESS OTHERWISE SPECIFIED TOLERANCES FOR MILLIMETERS ARE:	UNLESS OTHERWISE SPECIFIED TOLERANCES FOR INCHES ARE:	APPROVALS	DATE	PART DESCRIPTION
1	0.20 - .315 = ± 0.007"	.020 - .315 = ± 0.007"	DRAWN	05/31/06	<p><b>Amphenol Connex</b></p> <p>TNC FEMALE TO FEMALE BULKHEAD ISOLATED ADAPTER</p> <p>122346</p>
2	.315 - 1.180 = ± 0.015"	.315 - 1.180 = ± 0.015"	CHECKED		
3	1.180 - 4.724 = ± 0.020"	1.180 - 4.724 = ± 0.020"	ISSUED		
4			SHEET	1 OF 1	
5			CAD FILE		
6			C:/122/122346.DWG		DWG. NO. 122346.DWG
7					REV. NC
8					SIZE A
9					SCALE NA

DESCRIPTION	MATERIAL	FINISH	QTY
1 BODY	BRASS	NICKEL	1
2 INSULATOR	DELFIN	NATURAL	2
3 CONTACT PIN	PHOS. BRONZE	GOLD	1
4 LOCK WASHER	BRASS	NICKEL	1
5 HEX NUT	BRASS	NICKEL	1
6			
7			
8			