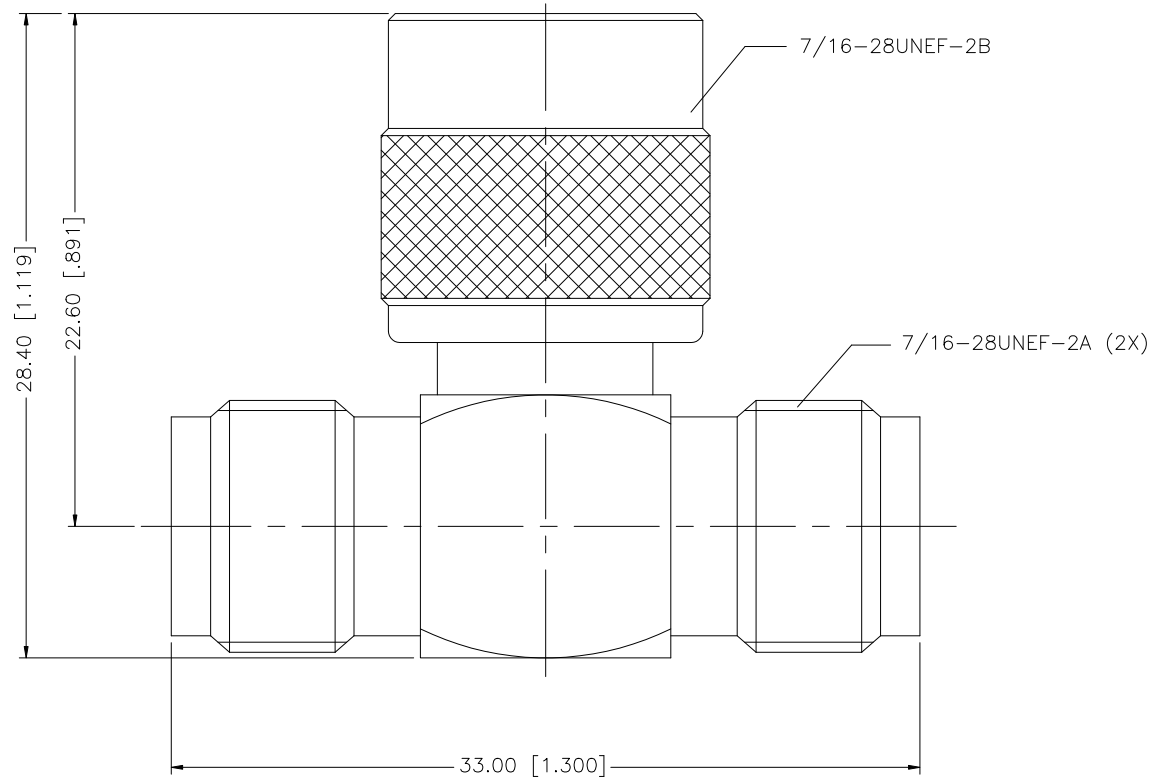


REV.	DATE	ECR NO.	DESCRIPTION
NC	11/25/08	-	INITIAL RELEASE



REV.	DATE	ECR NO.	DESCRIPTION
NC	11/25/08	-	INITIAL RELEASE

8				<small>UNLESS OTHERWISE SPECIFIED DIMENSIONS ARE IN MILLIMETERS. DIMENSIONS IN [] ARE IN INCHES AND FOR CUSTOMER REFERENCE ONLY.</small> <small>UNLESS OTHERWISE SPECIFIED TOLERANCES FOR MILLIMETERS ARE: 0.5 - 8mm ± 0.20mm 8 - 30mm ± 0.40mm 30 - 120mm ± 0.50mm</small> <small>UNLESS OTHERWISE SPECIFIED TOLERANCES FOR INCHES ARE: .020 - .315 = ± 0.007" .315 - 1.180 = ± 0.015" 1.180 - 4.724 = ± 0.020"</small>	APPROVALS	DATE	<h1 style="color: blue;">Amphenol Connex</h1>			
7			DRAWN		GRS	11/25/08				
6			CHECKED							
5	CONTACT PIN	BRASS	GOLD		1			PART DESCRIPTION		
4	CONTACT PIN	PHOS. BRONZE	GOLD		1		TNC "T" ADAPTER JACK-PLUG-JACK			
3	INSULATOR	DELRIN	NATURAL		2					
2	BODY	BRASS	NICKEL		1		PART NO.			
1	SHELL/HOUSING	BRASS	NICKEL		1		122356			
	DESCRIPTION	MATERIAL	FINISH	QTY	DO NOT SCALE DRAWING	CAD FILE	DWG. NO.	REV.	SIZE	SCALE
						C:/122/122356.DWG	122356.DWG	NC	A	NA