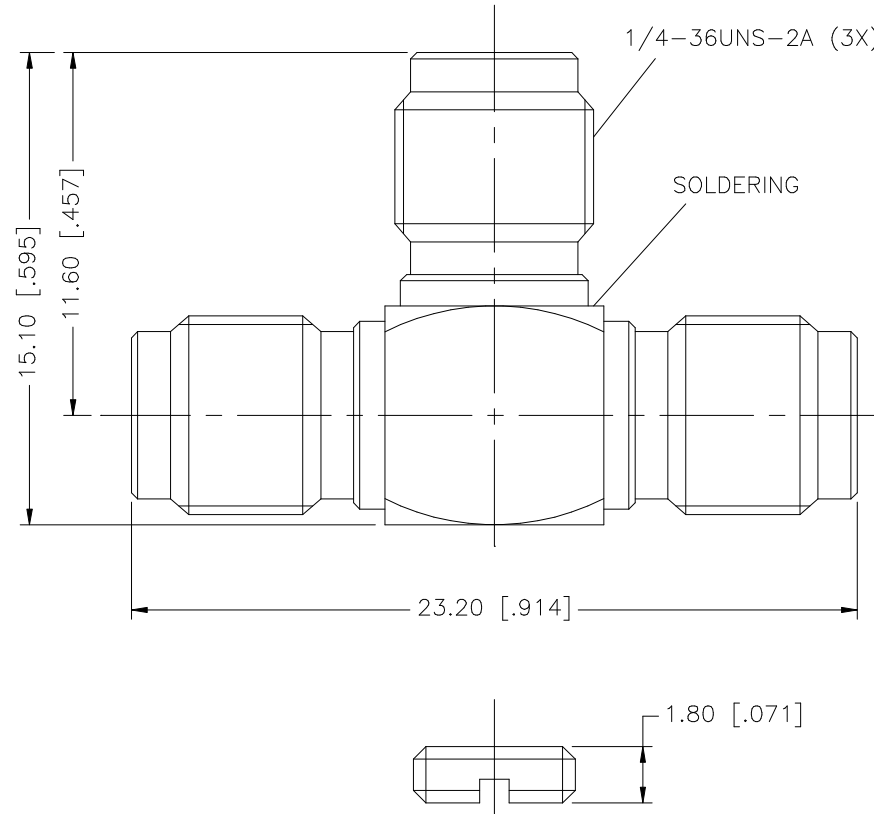


REV.	DATE	DESCRIPTION
NC	12/08/97	INITIAL RELEASE
A	09/24/06	UPDATE DRAWING FORMAT



8					<small>UNLESS OTHERWISE SPECIFIED DIMENSIONS ARE IN MILLIMETERS. DIMENSIONS IN [] ARE IN INCHES AND FOR CUSTOMER REFERENCE ONLY.</small> <small>UNLESS OTHERWISE SPECIFIED TOLERANCES FOR MILLIMETERS ARE:</small> 0.5 - 8mm ± 0.20mm 8 - 30mm ± 0.40mm 30 - 120mm ± 0.50mm <small>UNLESS OTHERWISE SPECIFIED TOLERANCES FOR INCHES ARE:</small> .020 - .315 = ± 0.007" .315 - 1.180 = ± 0.015" 1.180 - 4.724 = ± 0.020"	APPROVALS	DATE	<h1 style="color: blue;">Amphenol Connex</h1>				
7				DRAWN		G.R.S.	09/24/06				PART DESCRIPTION SMA "T" ADAPTER JACK-JACK-JACK -	
6				CHECKED				PART NO. 132216				
5				ISSUED							DWG. NO. 132216.DWG <table style="float: right; margin-left: 20px;"> <tr> <td>REV. A</td> <td>SIZE A</td> <td>SCALE NA</td> </tr> </table>	
REV. A	SIZE A	SCALE NA										
4				SHEET	1 OF 1							
3	CONTACT PIN	BER. COPPER	GOLD	3	CAD FILE							
2	INSULATOR	TEFLON	NATURAL	1	C:/132/132216.DWG							
1	BODY	BRASS	GOLD	1								
	DESCRIPTION	MATERIAL	FINISH	QTY	DO NOT SCALE DRAWING							