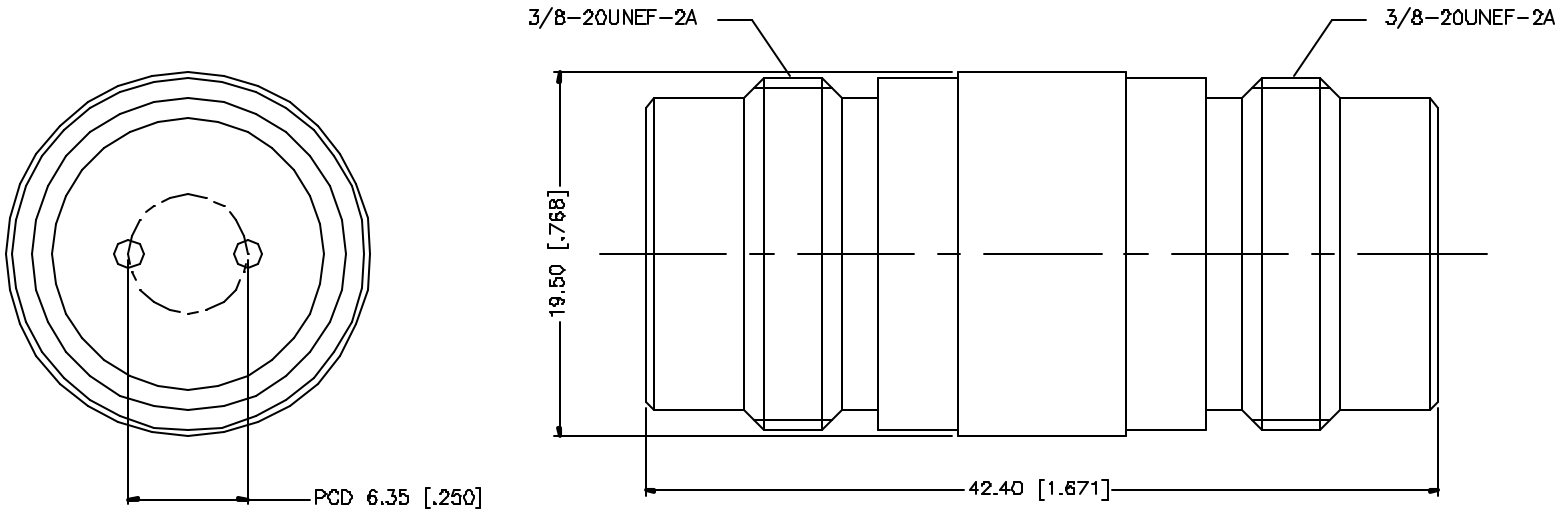


REV.	DATE	DESCRIPTION
NC	04/15/07	INITIAL RELEASE



8			
7			
6			
5			
4			
3	CONTACT PIN	PHOS. BRONZE	GOLD
2	INSULATOR	PBT	NATURAL
1	BODY	BRASS	NICKEL
DESCRIPTION	MATERIAL	FINISH	QTY

UNLESS OTHERWISE SPECIFIED DIMENSIONS ARE IN MILLIMETERS. DIMENSIONS IN [] ARE IN INCHES AND FOR CUSTOMER RECELVES ONLY.

UNLESS OTHERWISE SPECIFIED TOLERANCES FOR MILLIMETERS ARE:
 0.5 - 8mm ± 0.20mm
 8 - 30mm ± 0.40mm
 30 - 120mm ± 0.50mm

UNLESS OTHERWISE SPECIFIED TOLERANCES FOR INCHES ARE:
 .020 - .315 = ± 0.007"
 .315 - 1.180 = ± 0.015"
 1.180 - 4.724 = ± 0.020"

DO NOT SCALE DRAWING

APPROVALS	DATE
DRAWN G.R.S.	04/15/07
CHECKED	
ISSUED	
SHEET 1 OF 1	
CAD FILE C:/162/162104.DWG	

Amphenol Connex

PART DESCRIPTION
TWINAXIAL FEMALE-FEMALE ADAPTER

PART NO. **162104**

DWG. NO. 162104.DWG	REV. NC	SIZE A	SCALE NA
---------------------	---------	--------	----------