

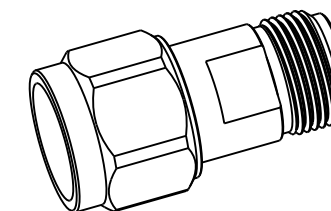
I.ELECTRIC PERFORMANCE:  
 IMPEDANCE( $\Omega$ ) : 50  
 FREQUENCY RANGE : DC-6GHZ  
 VSWR :  $\leq 1.065$  (0-3GHz)  
            $\leq 1.2$ (3-6GHz)  
 INSERT LOSS (dB) : <0.1  
 PIM(dBc) : <-160 (2X43dBm)  
 INSULATION RESISTANCE ( $M\Omega$ ) : 5000  
 PROOF VOLTAGE (V) : 2500  
 CONDUCTOR RESISTANCE ( $m\Omega$ ) : OUTER CONDUCTOR<0.2  
   INNER CONDUCTOR<0.8

II.MECHANICAL PERFORMANCE:  
 NUT TORQUE N : 5Nm  
 MECHANICAL WEAR : 500

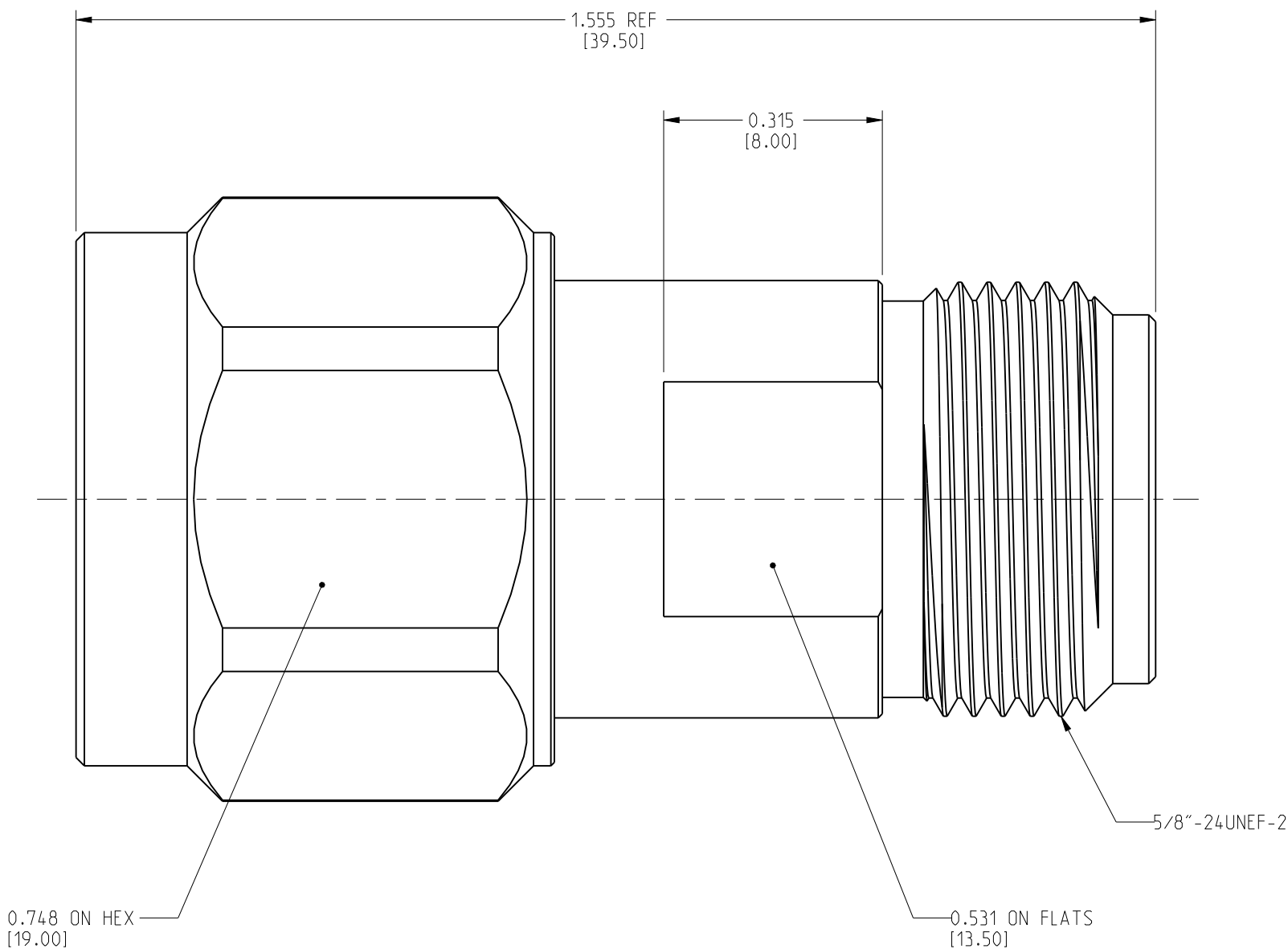
III.MATERIAL AND PLATING:  
 OUTER CONDUCTOR : BRASS PLATING COPPER-TIN-ZINC >2  $\mu$ m  
 INNER CONDUCTOR : SPRING COPPER PLATING Ag>5  $\mu$ m  
 INSULATOR : PTFE  
 COUPLING NUT : BRASS PLATING NICKEL5  $\mu$ m

IV.ENVIRONMENT:  
 TEMP.RANGE : -55°C TO +155°C  
 WATERPROOFING STANDARD :IP67  
 ROHS COMPLIANT

172372		REVISIONS			
DRAWING NO.	REV	DESCRIPTION	DATE	ECO	APPR
THIRD ANGLE PROJ.	A	RELEASE TO MFG.	01-Oct-12	--	MG



SCALE 1.000



4	NUT	BRASS	NICKEL	1
3	INSULATOR	PTFE	NATURAL	1
2	INNER CONDUCTOR	SPRING COPPER	SILVER	1
1	OUTER CONDUCTOR	BRASS	WHITE BRONZE	1
NO	DESCRIPTION	MATERIAL	FINISH	QTY

UNLESS OTHERWISE SPECIFIED, DIMENSIONS ARE IN INCHES AND TOLERANCES ARE:  
 2 PLACE DECIMAL      3 PLACE DECIMAL      ANGLES  
 $\pm 0.015$  (0,381 mm)     $\pm 0.005$  (0,127 mm)     $\pm 1^\circ$

NOTICE - These drawings, specifications, or other data (1) are, and remain the property of Amphenol Corp. (2) must be returned upon request; and (3) are confidential and not to be disclosed to any person other than those to whom they are given by Amphenol Corp. The furnishing of these drawings, specifications, or other data by Amphenol Corp., or to any other person to anyone for any purpose is not to be regarded by implication or otherwise in any manner licensing, granting rights or permitting such holder or any other person to manufacture, use or sell any product, process or design, patented or otherwise, that may in any way be related to or disclosed by said drawings, specifications, or other data.

MATERIAL	SEE NOTES
REFERENCE	

DRAWN	GOPI M	DATE	01-Oct-12
ENGINEER	GOPI M	DATE	01-Oct-12
APPROVED		DATE	
CAD FILE			

TITLE	N MALE TO N FEMALE ADAPTER, LOW PIM
DWG SIZE	B
DRAWING NO.	172372

Amphenol Connex	
SCALE: 4.5:1	SHEET 1 OF 1
REV	A