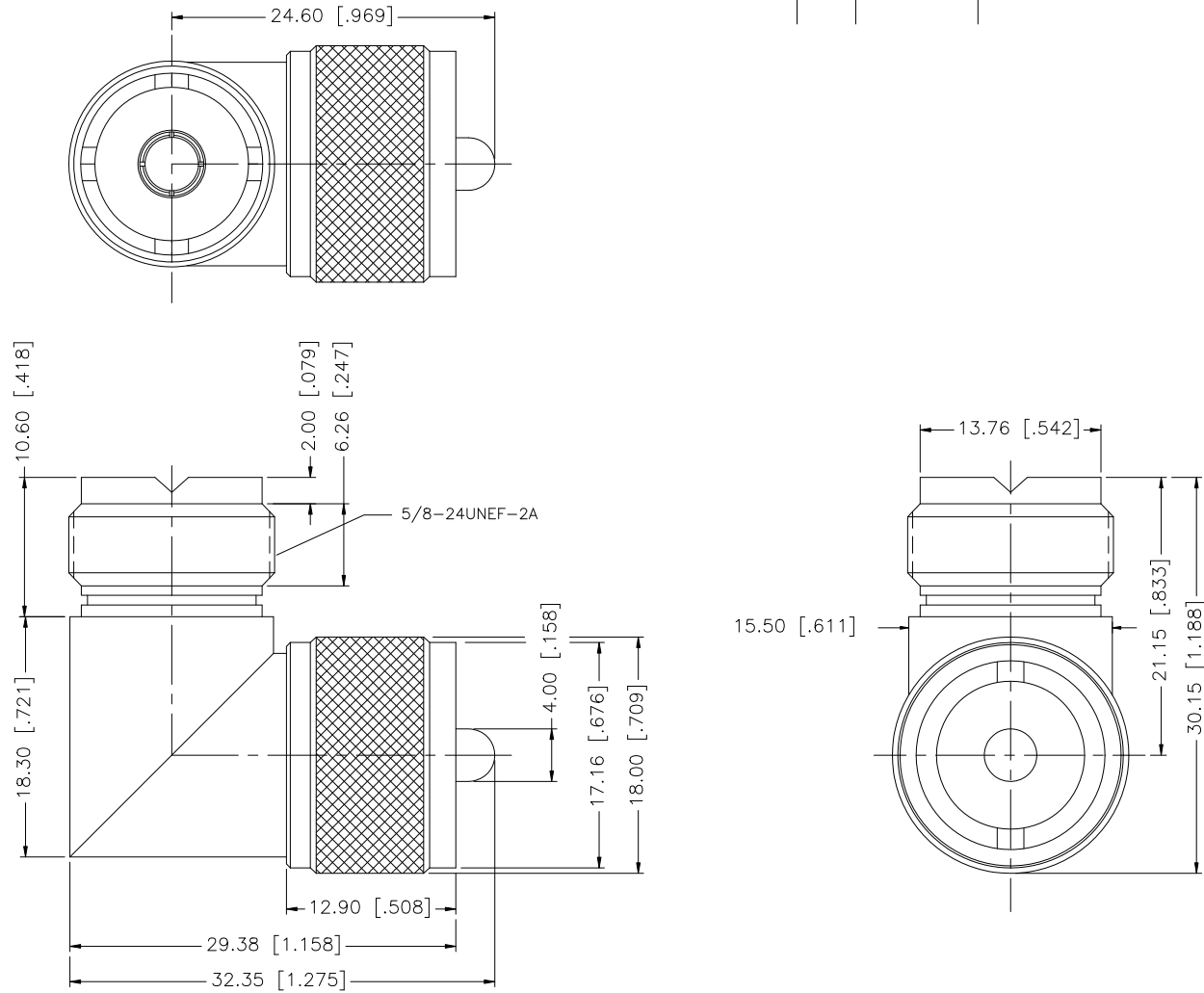


REV.	DATE	DESCRIPTION
NC	02/05/08	INITIAL RELEASE



8				
7				
6				
5				
4				
3	CONTACT PIN	BRASS	GOLD	1
2	INSULATOR	PTFE	NATURAL	1
1	BODY	BRASS	NICKEL	1
	DESCRIPTION	MATERIAL	FINISH	QTY

UNLESS OTHERWISE SPECIFIED DIMENSIONS ARE IN MILLIMETERS. DIMENSIONS IN [ ] ARE IN INCHES AND FOR CUSTOMER REFERENCE ONLY.

UNLESS OTHERWISE SPECIFIED TOLERANCES FOR MILLIMETERS ARE:  
0.5 - 8mm ± 0.20mm  
8 - 30mm ± 0.40mm  
30 - 120mm ± 0.50mm

UNLESS OTHERWISE SPECIFIED TOLERANCES FOR INCHES ARE:  
.020 - .315 = ± 0.007"  
.315 - 1.180 = ± 0.015"  
1.180 - 4.724 = ± 0.020"

APPROVALS		DATE
DRAWN	G.R.S.	02/05/08
CHECKED		
ISSUED		
SHEET	1 OF 1	
CAD FILE		
C:/182/182134.DWG		

# Amphenol Connex

PART DESCRIPTION			
UHF ANGLE ADAPTER JACK-PLUG			
-			
PART NO.		182134	
DWG. NO.	182134.DWG	REV.	NC
SIZE	A	SCALE	NA

DO NOT SCALE DRAWING