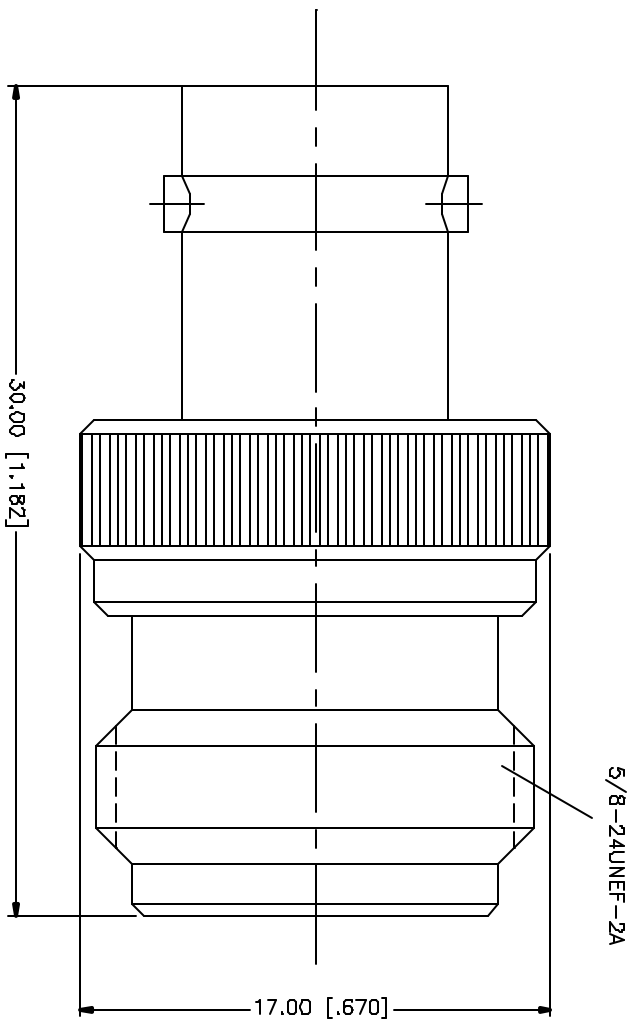


REV.	DATE	DESCRIPTION
A	03/27/05	UPDATE DRAWING FORMAT



NO.	DESCRIPTION	MATERIAL	FINISH	QTY	UNIT PRICE	TOTAL PRICE
1	CONTACT PIN	PHOS. BRONZE	COLD	1		
2	INSULATOR	TEFLON	NATURAL	1		
1	BODY	BRASS	NICKEL	1		
Amphenol Connex PART DESCRIPTION: BNC FEMALE TO N FEMALE ADAPTER PART NO.: 242100 DWT. NO.: 242100.DWG REV. A SIZE A SCALE NA						

UNLESS OTHERWISE SPECIFIED, DIMENSIONS ARE IN INCHES AND FRACTIONS THEREOF. DIMENSIONS FOR CUSTOMER REFERENCE ONLY.
 TOLERANCES UNLESS OTHERWISE SPECIFIED:
 A - .010 ± 0.250mm
 B - .015 ± 0.381mm
 C - .020 ± 0.508mm
 D - .030 ± 0.762mm
 E - .040 ± 1.016mm
 F - .050 ± 1.270mm
 G - .060 ± 1.524mm
 H - .070 ± 1.778mm
 I - .080 ± 2.032mm
 J - .090 ± 2.286mm
 K - .100 ± 2.540mm
 L - .120 ± 3.048mm
 M - .150 ± 3.810mm
 N - .200 ± 5.080mm
 O - .250 ± 6.350mm
 P - .300 ± 7.620mm
 Q - .375 ± 9.525mm
 R - .450 ± 11.430mm
 S - .500 ± 12.700mm
 T - .600 ± 15.240mm
 U - .750 ± 19.050mm
 V - .900 ± 22.860mm
 W - 1.000 ± 25.400mm
 X - 1.250 ± 31.750mm
 Y - 1.500 ± 38.100mm
 Z - 1.750 ± 44.450mm
 AA - 2.000 ± 50.800mm
 AB - 2.500 ± 63.500mm
 AC - 3.000 ± 76.200mm
 AD - 3.500 ± 88.900mm
 AE - 4.000 ± 101.600mm
 AF - 4.500 ± 114.300mm
 AG - 5.000 ± 127.000mm
 AH - 5.500 ± 139.700mm
 AI - 6.000 ± 152.400mm
 AJ - 6.500 ± 165.100mm
 AK - 7.000 ± 177.800mm
 AL - 7.500 ± 190.500mm
 AM - 8.000 ± 203.200mm
 AN - 8.500 ± 216.000mm
 AO - 9.000 ± 228.600mm
 AP - 9.500 ± 241.300mm
 AQ - 10.000 ± 254.000mm
 AR - 10.500 ± 266.700mm
 AS - 11.000 ± 279.400mm
 AT - 11.500 ± 292.100mm
 AU - 12.000 ± 304.800mm
 AV - 12.500 ± 317.500mm
 AW - 13.000 ± 330.200mm
 AX - 13.500 ± 342.900mm
 AY - 14.000 ± 355.600mm
 AZ - 14.500 ± 368.300mm
 BA - 15.000 ± 381.000mm
 BB - 15.500 ± 393.700mm
 BC - 16.000 ± 406.400mm
 BD - 16.500 ± 419.100mm
 BE - 17.000 ± 431.800mm
 BF - 17.500 ± 444.500mm
 BG - 18.000 ± 457.200mm
 BH - 18.500 ± 469.900mm
 BI - 19.000 ± 482.600mm
 BJ - 19.500 ± 495.300mm
 BK - 20.000 ± 508.000mm
 BL - 20.500 ± 520.700mm
 BM - 21.000 ± 533.400mm
 BN - 21.500 ± 546.100mm
 BO - 22.000 ± 558.800mm
 BP - 22.500 ± 571.500mm
 BQ - 23.000 ± 584.200mm
 BR - 23.500 ± 596.900mm
 BS - 24.000 ± 609.600mm
 BT - 24.500 ± 622.300mm
 BU - 25.000 ± 635.000mm
 BV - 25.500 ± 647.700mm
 BW - 26.000 ± 660.400mm
 BX - 26.500 ± 673.100mm
 BY - 27.000 ± 685.800mm
 BZ - 27.500 ± 698.500mm
 CA - 28.000 ± 711.200mm
 CB - 28.500 ± 723.900mm
 CC - 29.000 ± 736.600mm
 CD - 29.500 ± 749.300mm
 CE - 30.000 ± 762.000mm

APPROVALS	DATE
DRAWN: C.R.S.	03/27/05
CHECKED:	
ISSUED:	
SHEET: 1 OF 1	

CAD FILE: C:/242/242100.DWG
 DWT. NO.: 242100.DWG
 REV. A
 SIZE A
 SCALE NA