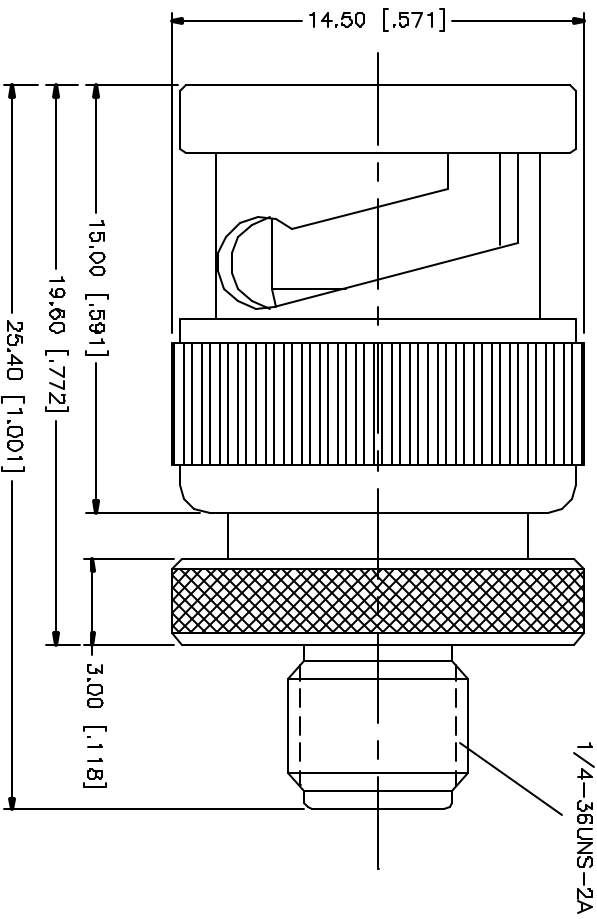


REV.	DATE	DESCRIPTION
A	03/27/05	UPDATE DRAWING'S FORMAT



NO.	DESCRIPTION	MATERIAL	FINISH	QTY	UNLESS OTHERWISE SPECIFIED DIMENSIONS ARE IN MILLIMETERS DIMENSIONS IN [] ARE IN INCHES AND FOR CUSTOMER REFERENCE ONLY.	UNLESS OTHERWISE SPECIFIED DIMENSIONS ARE IN MILLIMETERS DIMENSIONS IN [] ARE IN INCHES AND FOR CUSTOMER REFERENCE ONLY.	APPROVALS	DATE	PART DESCRIPTION	DWG. NO.	REV.	SIZE	SCALE	
1	CONTACT PIN	PHOS. BRONZE	GOLD	1	0.5 - 30mm ± 0.20mm	8 - 30mm ± 0.40mm	30 - 120mm ± 0.50mm	DRAWN G.R.S.	03/27/05	SMA FEMALE TO BNC MALE ADAPTER	242103	A	A	NA
2	INSULATOR	TEFLON	NATURAL	1	0.00 - 3.15 ± 0.007"	.315 - 1.180 ± 0.015"	CHECKED							
3	BODY	BRASS	GOLD	1	1.780 - 4.724 ± 0.020"		RELEAD							
4	DESCRIPTION						SHEET 1 OF 1							
DO NOT SCALE DRAWING					SMD FILE C:/242/242103.DWG									

Amphenol Connex