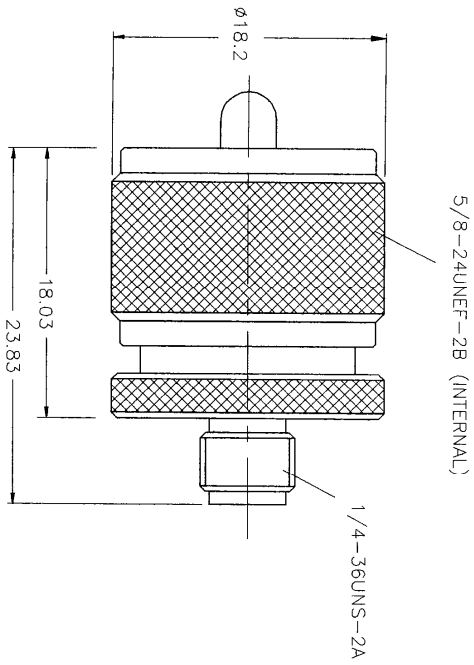


REV.	DATE	DESCRIPTION
NC	1/8/97	INITIAL RELEASE



DESCRIPTION	MATERIAL	FINISH	APPROVALS	DATE	TITLE	SCALE	PART NO.	DWG. NO.	SHEET	REV.
1 BODY	BRASS	NICKEL	DRAWN G.R.S.	1/8/97	 Connex Connector Corporation SMA FEMALE TO UHF MALE ADAPTOR	A	99001	242109	1	OF 1
2 CONTACT PIN (UHF)	BRASS	GOLD	CHECKED							
3 CONTACT PIN (SMA)	PHOS. BRONZE	GOLD	ISSUED							
4 INSULATOR	TEFLON	NATURAL								
5										
6										
7										
8										

DIMENSIONS ARE IN MILLIMETERS
UNLESS OTHERWISE SPECIFIED
TOLERANCES ARE:
0.5-6 = ± 0.2
6-30 = ± 0.4
30-120 = ± 0.6
120-315 = ± 1
315-1000 = ± 1.6
1000-2000 = ± 2.4
DO NOT SCALE DRAWING