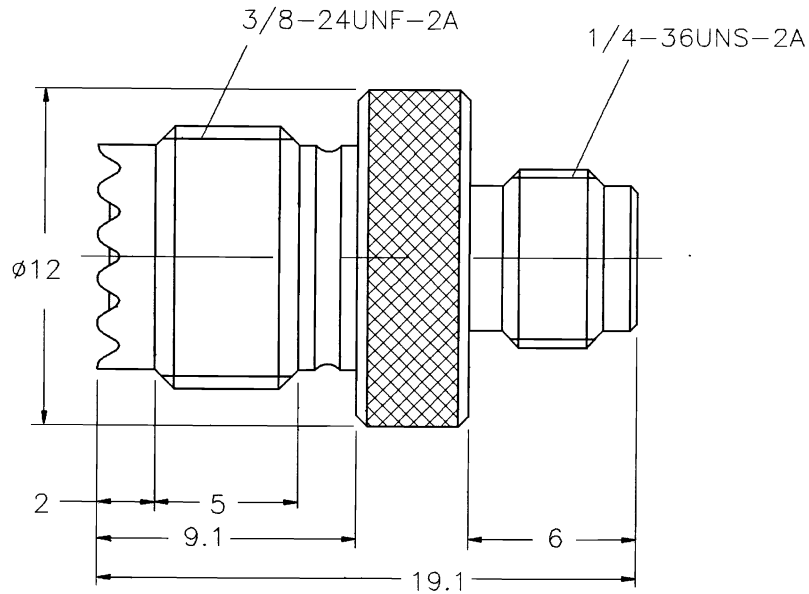



REV.	DATE	DESCRIPTION
NC	4/1/97	INITIAL RELEASE



DESCRIPTION	MATERIAL	FINISH	DIMENSIONS ARE IN MILLIMETERS UNLESS OTHERWISE SPECIFIED TOLERANCES ARE:	APPROVALS	DATE					
						TITLE	SIZE	FSCM NO.	DWG. NO.	REV.
1	BODY	BRASS	NICKEL	DRAWN	G.R.S.	4/1/97	SMA FEMALE TO MINI-UHF FEMALE ADAPTOR A 99001 242119.DWG NC SCALE 4:1 PART NO. 242119 SHEET 1 OF 1			
2	CONTACT PIN	PHOS. BRONZE	GOLD	CHECKED						
3	INSULATOR	TEFLON	NATURAL	ISSUED						
4										
5										
6										
7										
8										

DO NOT SCALE DRAWING