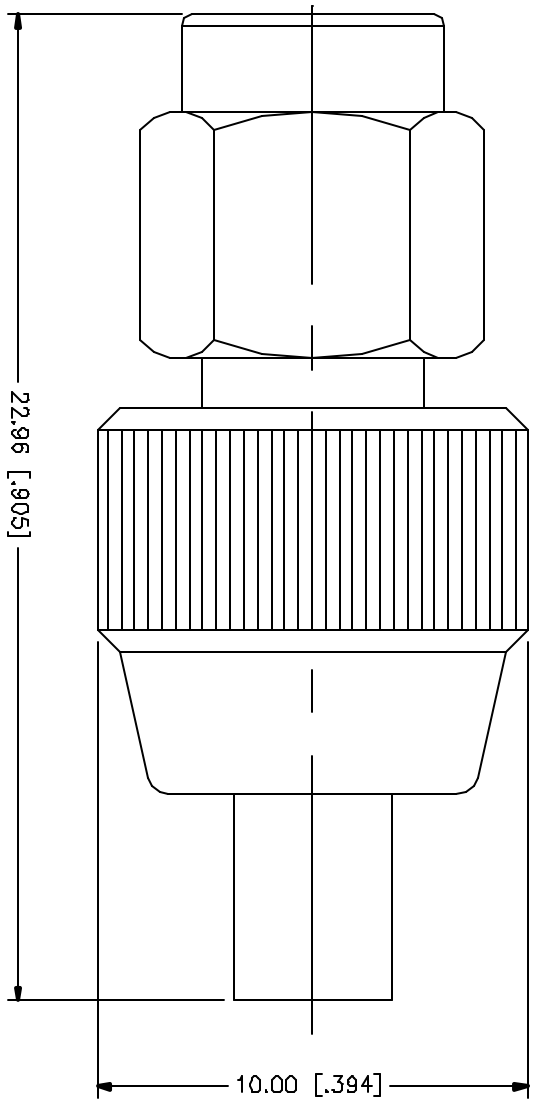


REV.	DATE	DESCRIPTION
A	03/27/05	UPDATE DRAWING FORMAT



QTY	DESCRIPTION	MATERIAL	FINISH	QTY	REV.	DATE	DESCRIPTION
1	CONTACT PIN	BFR. COPPER	GOLD	1			
1	INSULATOR BODY	TEFLON BRASS	NATURAL GOLD	1			
1				1			

Amphenol Connex SMA MALE TO MCX FEMALE ADAPTER PART NO. 242126	
APPROVALS DRAWN G.R.S. 03/27/05 CHECKED ISSUED SHEET 1 OF 1	DATE 03/27/05

PART NO. 242126.DWG REV. A SIZE A SCALE NA	C:/242/242126.DWG
---	-------------------

PART NO. 242126
 IN UNITS OF INCHES AND DECIMALS THEREOF
 TOLERANCES PER MILITARY STANDARD
 UNLESS OTHERWISE SPECIFIED
 0.3 - 0.4999 ± 0.005
 0.5 - 0.9999 ± 0.0075
 1.0 - 4.9999 ± 0.015
 5.0 - 9.9999 ± 0.030
 10.0 - 49.9999 ± 0.060
 50.0 - 99.9999 ± 0.120
 100.0 - 499.9999 ± 0.250
 500.0 - 999.9999 ± 0.500
 1000.0 - 4999.9999 ± 1.000
 5000.0 - 9999.9999 ± 2.000
 10000.0 - 49999.9999 ± 4.000
 50000.0 - 99999.9999 ± 8.000
 100000.0 - 499999.9999 ± 0.0200*
 500000.0 - 999999.9999 ± 0.0500*
 1000000.0 - 4999999.9999 ± 0.1000*
 *PERFORMANCE PER MIL-STD-15