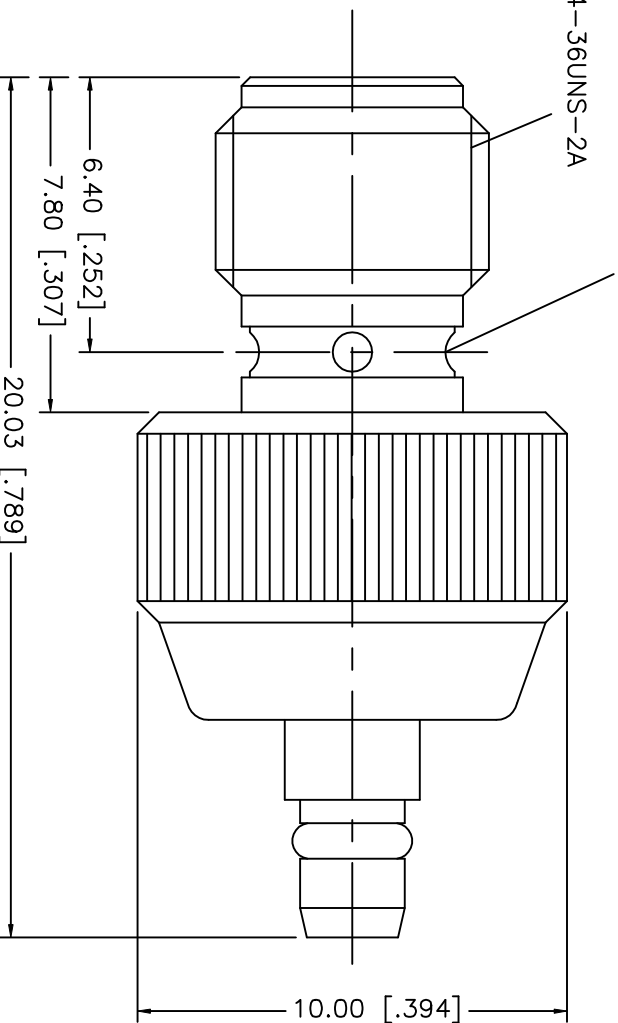


REV.	DATE	DESCRIPTION
NC	09/22/02	INITIAL RELEASE

STAKE IN 4 PLACES  
EQUALLY SPACED 90° APART

1/4-36UNS-2A



8																			
7																			
6																			
5	RETAINER RING	BER. COPPER	GOLD																
4	CONTACT PIN	BER. COPPER	GOLD																
3	INSULATOR	TEFLON	NATURAL																
2	BODY	BRASS	GOLD																
1	HOUSING	BRASS	GOLD																
	DESCRIPTION	MATERIAL	FINISH																
				UNLESS OTHERWISE SPECIFIED DIMENSIONS ARE IN MILLIMETERS				APPROVALS		DATE									
				DIMENSIONS IN [ ] ARE IN INCHES FOR CUSTOMER REFERENCE ONLY				DRAWN G.R.S.		09/22/02									
				UNLESS OTHERWISE SPECIFIED TOLERANCES FOR INCHES ARE: .XXX = ± 0.005" .XX = ± 0.010" .X = ± 0.020"				CHECKED											
				DO NOT SCALE DRAWING				ISSUED											
												TITLE							
												SMA JACK TO MMCX PLUG ADAPTER							
												<b>Amphenol – Connex</b> CONNECTOR CORPORATION							
			SIZE A		FSOM NO. 99001		DWC. NO. 242141.DWG		REV. NC										
			SCALE NA		PART NO. 242141		SHEET 1		OF 1										