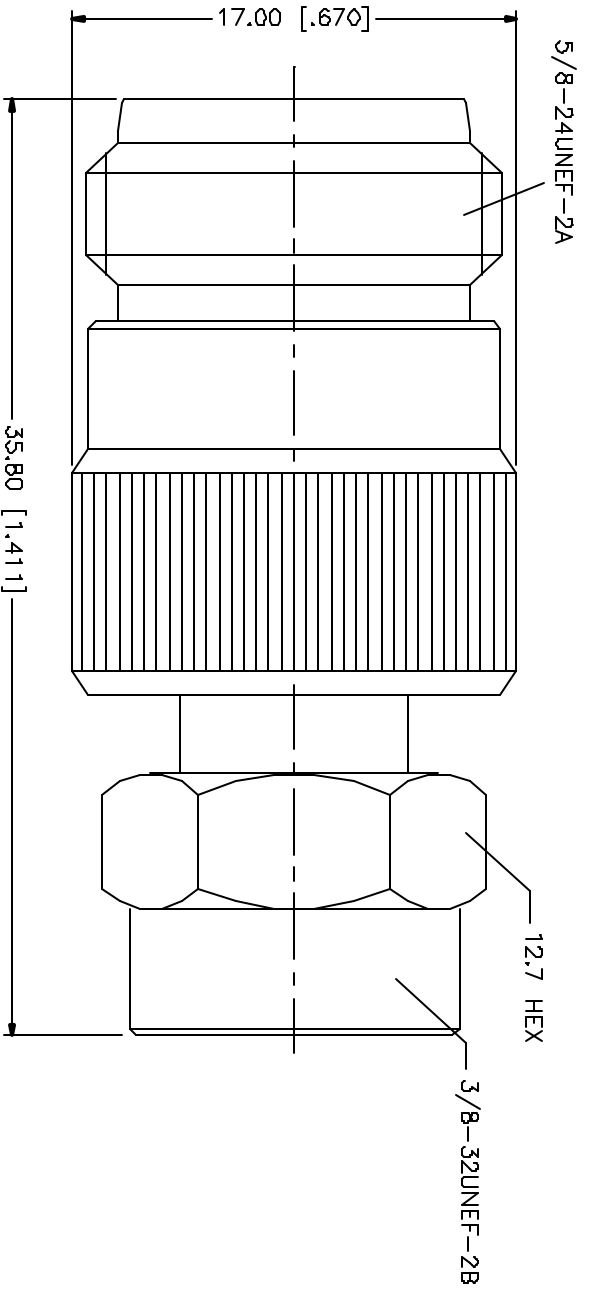


REV.	DATE	DESCRIPTION
A	03/27/05	UPDATE DRAWING FORMAT



NO.	DESCRIPTION	MATERIAL	FINISH	QTY	DO NOT SCALE DRAWING	APPROVALS	DATE	PART DESCRIPTION
8								<p><b>Amphenol Connex</b></p> <p>N FEMALE TO F MALE ADAPTER (WATERPROOF)</p> <p>242152</p>
7								
6								
5	GASKET	SILICONE	BLACK	1				
3	CONTACT PIN	PHOS. BRONZE	ROLD	1				
2	INSULATOR	TEFLON	NATURAL	1				
1	BODY	BRASS	NICKEL	1				
	DESCRIPTION	MATERIAL	FINISH	QTY				

UNLESS OTHERWISE SPECIFIED DIMENSIONS ARE IN MILLIMETERS. DIMENSIONS IN [ ] ARE IN INCHES AND FOR CUSTOMER REFERENCE ONLY. TOLERANCES FOR MILLIMETERS ARE:

0.5 - 30mm ± 0.20mm  
 30 - 120mm ± 0.40mm  
 120 - 300mm ± 0.50mm

UNLESS OTHERWISE SPECIFIED DIMENSIONS FOR INCHES ARE:

0.001 - 0.315 ± 0.0075"  
 0.315 - 1.180 ± 0.015"  
 1.180 - 4.724 ± 0.020"

APPROVALS	DATE
DRAWN G.R.S.	03/27/05
CHECKED	
ISSUED	
SHEET 1 OF 1	

DWG. NO.	242152.DWG	REV. A	SIZE A	SCALE NA
DWG. FILE	C:/242/242152.DWG			