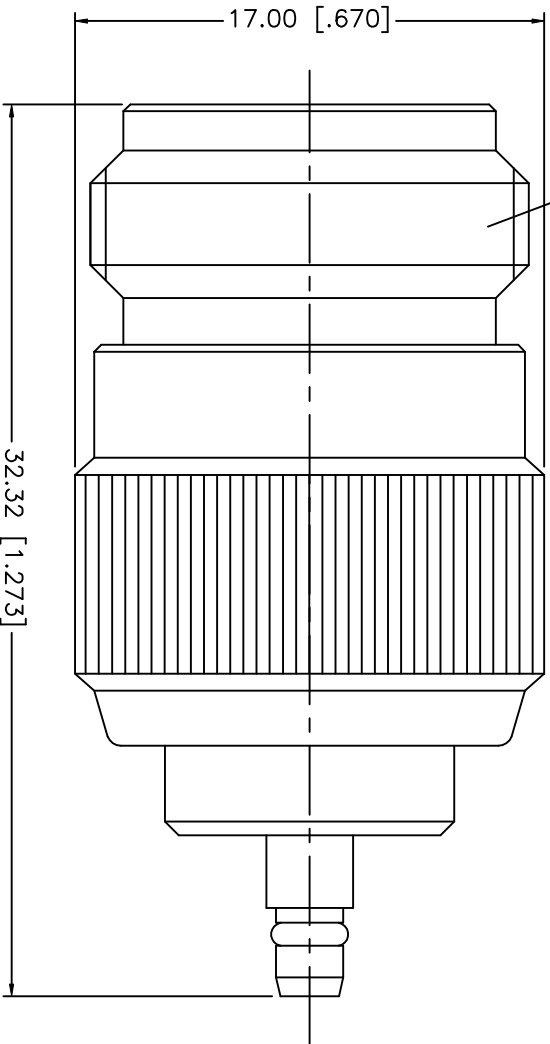


REV.	DATE	DESCRIPTION
NC	09/22/02	INITIAL RELEASE

5/8-24UNEF-2A



8				UNLESS OTHERWISE SPECIFIED DIMENSIONS ARE IN MILLIMETERS	APPROVALS	DATE	TITLE			REV.
7				DIMENSIONS IN [] ARE IN INCHES FOR CUSTOMER REFERENCE ONLY	DRAWN G.R.S.	09/22/02	N JACK TO MMCX PLUG ADAPTOR			NC
6					CHECKED					
5					ISSUED					
4										
3	CONTACT PIN	PHOS. BRONZE	GOLD	UNLESS OTHERWISE SPECIFIED TOLERANCES FOR INCHES ARE: .XXX = ± 0.005" .XX = ± 0.010" .X = ± 0.020"			SIZE	FSCM NO.	DWG. NO.	
2	INSULATOR	TEFLON	NATURAL				A	99001	242167	242167.DWG
1	BODY	BRASS	NICKEL				SCALE	NA	PART NO.	242167
	DESCRIPTION	MATERIAL	FINISH	DO NOT SCALE DRAWING						SHEET 1 OF 1

Amphenol - Connex
CONNECTOR CORPORATION