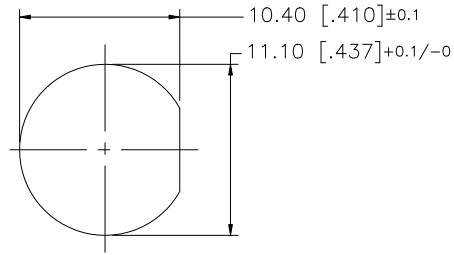
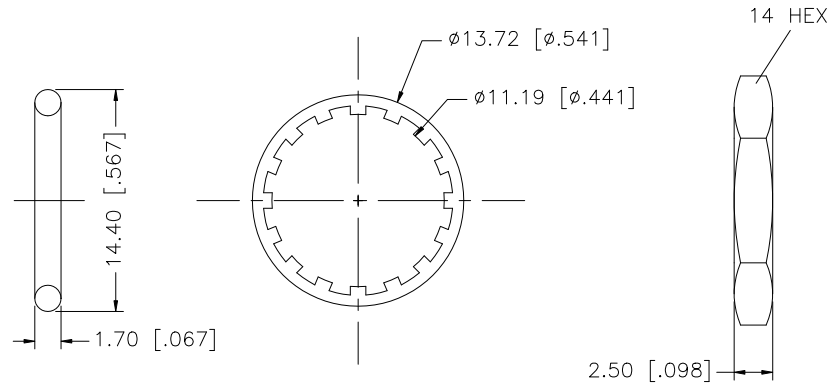
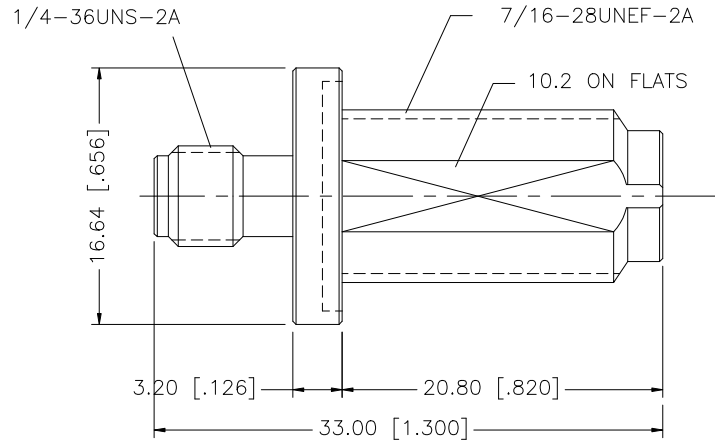


REV.	DATE	ECR NO.	DESCRIPTION
NC	10/14/01	-	INITIAL RELEASE
A	03/26/09	100088	ADD TOLERANCES TO MOUNT HOLE DIMENSIONS



RECOMMENDED MOUNTING HOLE



QTY	DESCRIPTION	MATERIAL	FINISH
6	HEX NUT	BRASS	NICKEL
5	LOCK WASHER	PHOS. BRONZE	NICKEL
4	GASKET	SILICONE	RED
3	CONTACT PIN	BER. COPPER	GOLD
2	INSULATOR	PTFE	NATURAL
1	BODY	BRASS	NICKEL

UNLESS OTHERWISE SPECIFIED DIMENSIONS ARE IN MILLIMETERS. DIMENSIONS IN [] ARE IN INCHES AND FOR CUSTOMER REFERENCE ONLY.

UNLESS OTHERWISE SPECIFIED TOLERANCES FOR MILLIMETERS ARE:
0.5 - 8mm ± 0.20mm
8 - 30mm ± 0.40mm
30 - 120mm ± 0.50mm

UNLESS OTHERWISE SPECIFIED TOLERANCES FOR INCHES ARE:
.020 - .315 = ± 0.007"
.315 - 1.180 = ± 0.015"
1.180 - 4.724 = ± 0.020"

DO NOT SCALE DRAWING

APPROVALS	DATE
DRAWN GRS	03/26/09
CHECKED	
ISSUED	
SHEET 1 OF 1	
CAD FILE	C:/242/242178.DWG

Amphenol Connex

PART DESCRIPTION
SMA FEMALE TO TNC BULKHEAD FEMALE ADAPTER

PART NO.
242178

DWG. NO.	242178.DWG	REV.	A	SIZE	A	SCALE	NA
----------	------------	------	---	------	---	-------	----