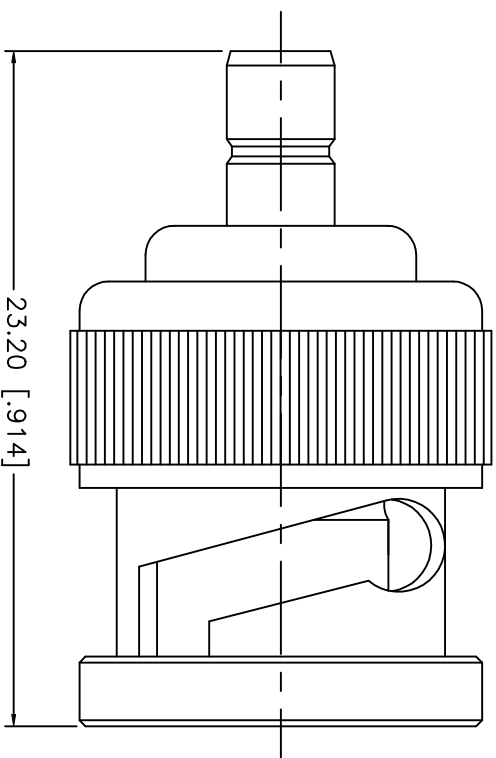


| REV. | DATE     | DESCRIPTION     |
|------|----------|-----------------|
| NC   | 04/09/02 | INITIAL RELEASE |



|   |             |          |      |         |          |  |                              |  |  |  |  |  |  |        |  |  |  |  |  |  |  |  |  |
|---|-------------|----------|------|---------|----------|--|------------------------------|--|--|--|--|--|--|--------|--|--|--|--|--|--|--|--|--|
| 8   |             |          |      |         |          |  |                              |  |  |  |  |  |  |        |  |  |  |  |  |  |  |  |  |
| 7   |             |          |      |         |          |  |                              |  |  |  |  |  |  |        |  |  |  |  |  |  |  |  |  |
| 6   |             |          |      |         |          |  |                              |  |  |  |  |  |  |        |  |  |  |  |  |  |  |  |  |
| 5   |             |          |      |         |          |  |                              |  |  |  |  |  |  |        |  |  |  |  |  |  |  |  |  |
| 4   | CONTACT PIN | BRASS    |      | GOLD    |          |  |                              |  |  |  |  |  |  |        |  |  |  |  |  |  |  |  |  |
| 3   | INSULATOR   | TEFLON   |      | NATURAL |          |  |                              |  |  |  |  |  |  |        |  |  |  |  |  |  |  |  |  |
| 2   | SMB BODY    | BRASS    |      | GOLD    |          |  |                              |  |  |  |  |  |  |        |  |  |  |  |  |  |  |  |  |
| 1   | BNC BODY    | BRASS    |      | NICKEL  |          |  |                              |  |  |  |  |  |  |        |  |  |  |  |  |  |  |  |  |
|   | DESCRIPTION | MATERIAL |      | FINISH  |          |  |                              |  |  |  |  |  |  |        |  |  |  |  |  |  |  |  |  |
| UNLESS OTHERWISE SPECIFIED DIMENSIONS ARE IN MILLIMETERS  |             |          |      |         |          |  |                              |  |  |  |  |  |  |        |  |  |  |  |  |  |  |  |  |
| DIMENSIONS IN [ ] ARE IN INCHES FOR CUSTOMER REFERENCE ONLY   |             |          |      |         |          |  |                              |  |  |  |  |  |  |        |  |  |  |  |  |  |  |  |  |
| UNLESS OTHERWISE SPECIFIED TOLERANCES FOR INCHES ARE:<br>.XXX = ± 0.005"<br>.XX = ± 0.010"<br>.X = ± 0.020" |             |          |      |         |          |  |                              |  |  |  |  |  |  |        |  |  |  |  |  |  |  |  |  |
| DO NOT SCALE DRAWING  |             |          |      |         |          |  |                              |  |  |  |  |  |  |        |  |  |  |  |  |  |  |  |  |
| APPROVALS   |             |          |      |         | DATE     |  |                              |  |  |  |  |  |  |        |  |  |  |  |  |  |  |  |  |
| DRAWN G.R.S.  |             |          |      |         | 04/09/02 |  |                              |  |  |  |  |  |  |        |  |  |  |  |  |  |  |  |  |
| CHECKED   |             |          |      |         |          |  |                              |  |  |  |  |  |  |        |  |  |  |  |  |  |  |  |  |
| ISSUED  |             |          |      |         |          |  |                              |  |  |  |  |  |  |        |  |  |  |  |  |  |  |  |  |
| TITLE   |             |          |      |         |          |  | BNC PLUG TO SMB JACK ADAPTOR |  |  |  |  |  |  |        |  |  |  |  |  |  |  |  |  |
| Amphenol - Connex   |             |          |      |         |          |  | CONNECTOR CORPORATION        |  |  |  |  |  |  |        |  |  |  |  |  |  |  |  |  |
| SIZE  | FSGM NO.    | DWG. NO. | REV. |         |          |  |                              |  |  |  |  |  |  |        |  |  |  |  |  |  |  |  |  |
| A   | 99001       | 242184   | NC   |         |          |  |                              |  |  |  |  |  |  |        |  |  |  |  |  |  |  |  |  |
| SCALE   | PART NO.    | SHEET    |      |         |          |  |                              |  |  |  |  |  |  | 1 OF 1 |  |  |  |  |  |  |  |  |  |
| NA  | 242184      |          |      |         |          |  |                              |  |  |  |  |  |  |        |  |  |  |  |  |  |  |  |  |