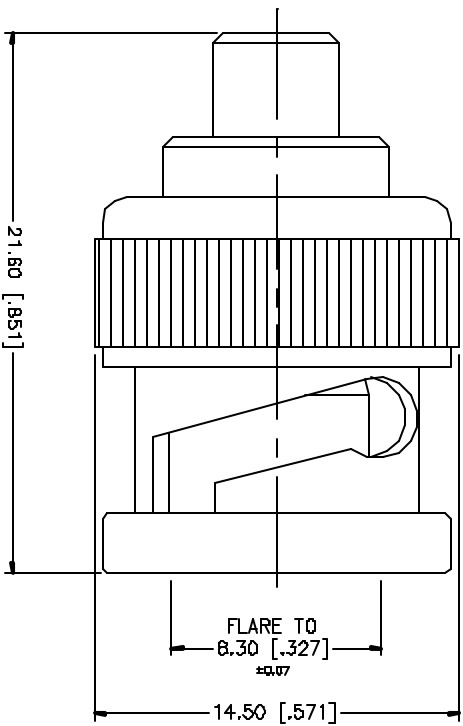


REV.	DATE	DESCRIPTION
NC	06/16/04	UPDATE DRAWING FORMAT



REV.	DATE	DESCRIPTION	MATERIAL	FINISH	QTY
8					
7					
6					
5					
4					
3		CONTACT PIN	BERL COPPER	GOLD	1
2		INSULATOR	TEFLON	NATURAL	1
1		BODY	BRASS	NICKEL	1
		DESCRIPTION	MATERIAL	FINISH	QTY

UNLESS OTHERWISE SPECIFIED, DIMENSIONS ARE IN INCHES AND FRACTIONS THEREOF, DECIMALS AND DECIMAL EQUIVALENTS (MM).	UNLESS OTHERWISE SPECIFIED, DIMENSIONS ARE IN MILLIMETERS AND FRACTIONS THEREOF.
TOLERANCES FOR UNLESS OTHERWISE SPECIFIED:	TOLERANCES FOR UNLESS OTHERWISE SPECIFIED:
0/3 - 8mm ± 0.20mm	0/3 - 8mm ± 0.20mm
8 - 30mm ± 0.40mm	8 - 30mm ± 0.40mm
30 - 120mm ± 0.50mm	30 - 120mm ± 0.50mm
UNLESS OTHERWISE SPECIFIED, DIMENSIONS FOR FINISH ARE:	UNLESS OTHERWISE SPECIFIED, DIMENSIONS FOR FINISH ARE:
.020 - .315 ± 0.007"	.020 - .315 ± 0.007"
.315 - 1.180 ± 0.015"	.315 - 1.180 ± 0.015"
1.180 - 4.724 ± 0.020"	1.180 - 4.724 ± 0.020"

DO NOT SCALE DRAWINGS	DO NOT SCALE DRAWINGS
-----------------------	-----------------------

APPROVALS	DATE
DRAWN G.R.S.	06/16/04
CHECKED	
ISSUED	
SHEET 1 OF 1	

DWG FILE C:/242/242203.DWG	DWG NO. 242203.DWG	REV. NC	SIZE A	SCALE NA
----------------------------	--------------------	---------	--------	----------

Amphenol Connex	
PART DESCRIPTION BNC PLUG TO MCX JACK ADAPTER	
PART NO. 242203	