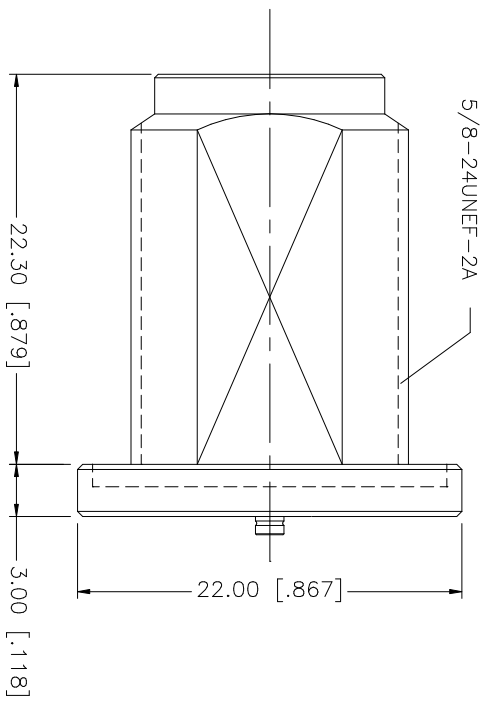
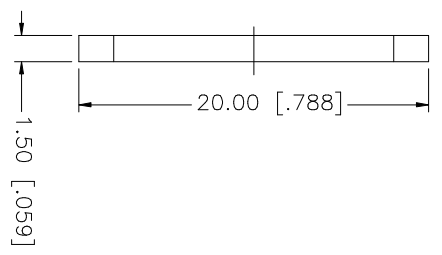
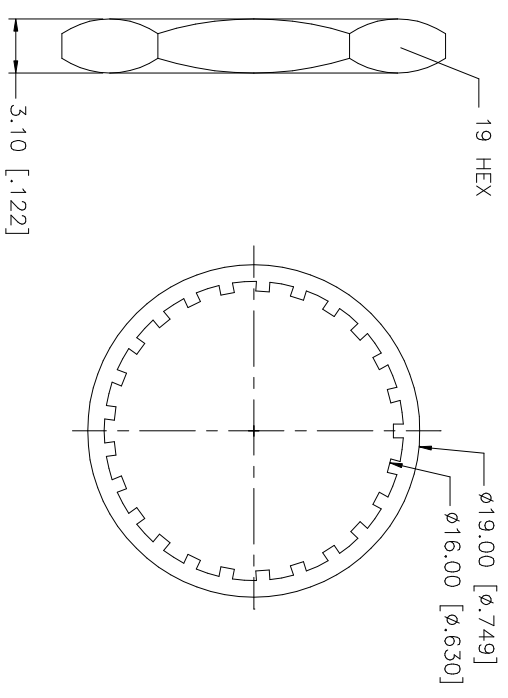
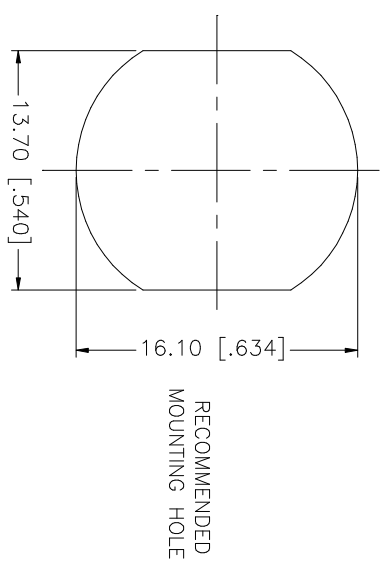


REV.	DATE	DESCRIPTION
NC	12/18/04	INITIAL RELEASE
A	04/05/06	ADD NOTE 1



NOTE:
1. MAX. VSWR 1.4:1 UP TO 6ghz

QTY	DESCRIPTION	MATERIAL	FINISH	QTY	DO NOT SCALE DRAWING	APPROVALS	DATE	PART DESCRIPTION							
1	HEX NUT	BRASS	NICKEL	1	UNLESS OTHERWISE SPECIFIED, DIMENSIONS ARE IN MILLIMETERS. DIMENSIONS IN INCHES ARE IN PARENTHESES. DIMENSIONS IN INCHES AND FOR CUSTOMER REFERENCE ONLY.	DRAWN	G.R.S.	04/05/06	Amphenol Connex AMC JACK TO N BULKHEAD JACK 242216						
1	LOCK WASHER	BRASS	NICKEL	1	UNLESS OTHERWISE SPECIFIED, DIMENSIONS ARE IN MILLIMETERS. DIMENSIONS IN INCHES ARE IN PARENTHESES. DIMENSIONS IN INCHES AND FOR CUSTOMER REFERENCE ONLY.	CHECKED									
1	GASKET	SILICONE	RED	1	UNLESS OTHERWISE SPECIFIED, DIMENSIONS ARE IN MILLIMETERS. DIMENSIONS IN INCHES ARE IN PARENTHESES. DIMENSIONS IN INCHES AND FOR CUSTOMER REFERENCE ONLY.	ISSUED									
1	CONTACT PIN	BER. COPPER	GOLD	1	UNLESS OTHERWISE SPECIFIED, DIMENSIONS ARE IN MILLIMETERS. DIMENSIONS IN INCHES ARE IN PARENTHESES. DIMENSIONS IN INCHES AND FOR CUSTOMER REFERENCE ONLY.	SHEET	1 OF 1								
1	INSULATOR BODY	TEFLON BRASS	NATURAL NICKEL	1	UNLESS OTHERWISE SPECIFIED, DIMENSIONS ARE IN MILLIMETERS. DIMENSIONS IN INCHES ARE IN PARENTHESES. DIMENSIONS IN INCHES AND FOR CUSTOMER REFERENCE ONLY.										
	DESCRIPTION	MATERIAL	FINISH	QTY	DO NOT SCALE DRAWING	CAD FILE	C:/242/242216.DWG	DWG. NO.	242216.DWG	REV.	A	SIZE	A	SCALE	NA