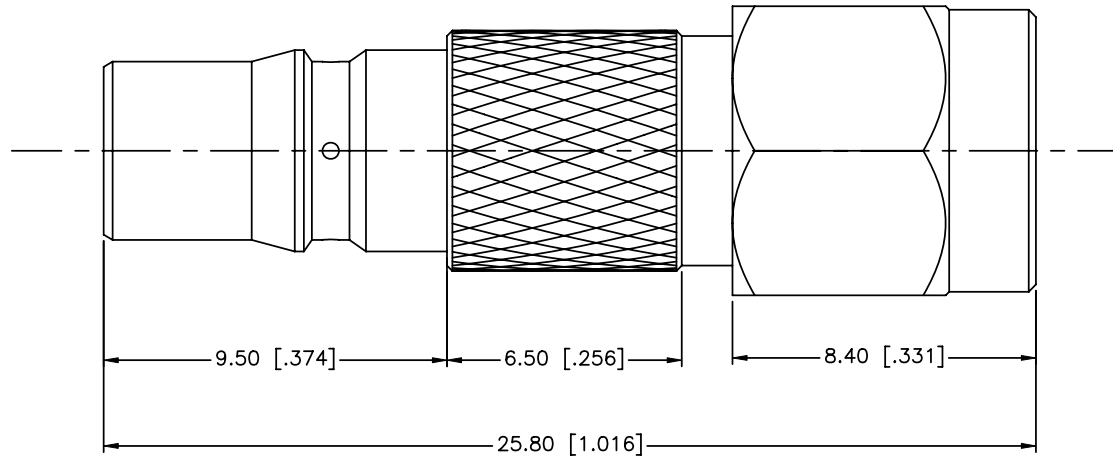
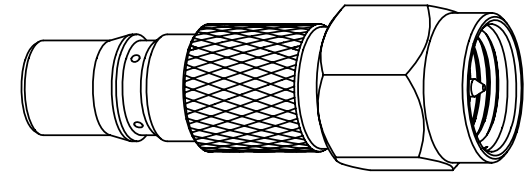


REV.	DATE	ECR NO.	DESCRIPTION
NC	01/06/12	XXXXXX	INITIAL RELEASE



1. IMPEDANCE: 50 OHM
2. FREQUENCY RANGE: DC 0–18 GHz
3. RETURN LOSS: 1.07 MAX @ DC TO 3 GHz;  
1.08 MAX @ 3~6 GHz;  
1.18 MAX @ 6~10 GHz;  
1.30 MAX @ 10~18 GHz.
4. DIELECTRIC WITHSTANDING VOLTAGE: 1000 VRMS, MIN.
5. DURABILITY: 100 CYCLES MIN.
6. TEMPERATURE RANGE: -65°C TO +165°C

<small>UNLESS OTHERWISE SPECIFIED DIMENSIONS ARE IN MILLIMETERS. DIMENSIONS IN [ ] ARE IN INCHES AND FOR CUSTOMER REFERENCE ONLY.</small>  <small>UNLESS OTHERWISE SPECIFIED TOLERANCES FOR MILLIMETERS ARE: 0.5 - 8mm ± 0.20mm 8 - 30mm ± 0.40mm 30 - 120mm ± 0.50mm</small>  <small>UNLESS OTHERWISE SPECIFIED TOLERANCES FOR INCHES ARE: .020 - .315 = ± 0.007" .315 - 1.180 = ± 0.015" 1.180 - 4.724 = ± 0.020"</small>	APPROVALS	DATE
	DRAWN I.XU	05/02/12
	CHECKED	
	ISSUED	
	SHEET 1 OF 1	
CAD FILE	C:/CONNEX/242263.DWG	

# Amphenol Connex

PART DESCRIPTION			
QMA JACK TO SMA PLUG ADAPTOR			
PART NO. 242263			
DWG. NO.	REV.	SIZE	SCALE
242263.DWG	NC	A	NA

QTY	FINISH	MATERIAL	DESCRIPTION
1	NEXCOTE	BRASS	BODY
1	NATURAL	PTFE	INSULATOR
1	GOLD	BRASS	CONTACT PIN

DO NOT SCALE DRAWING