

NOTE:

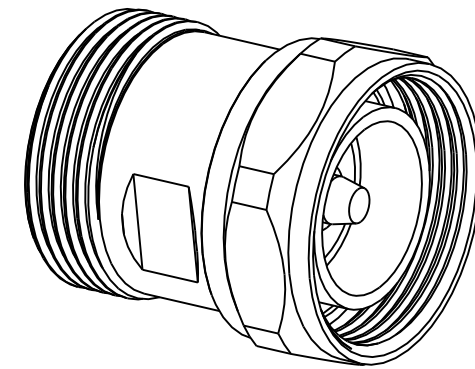
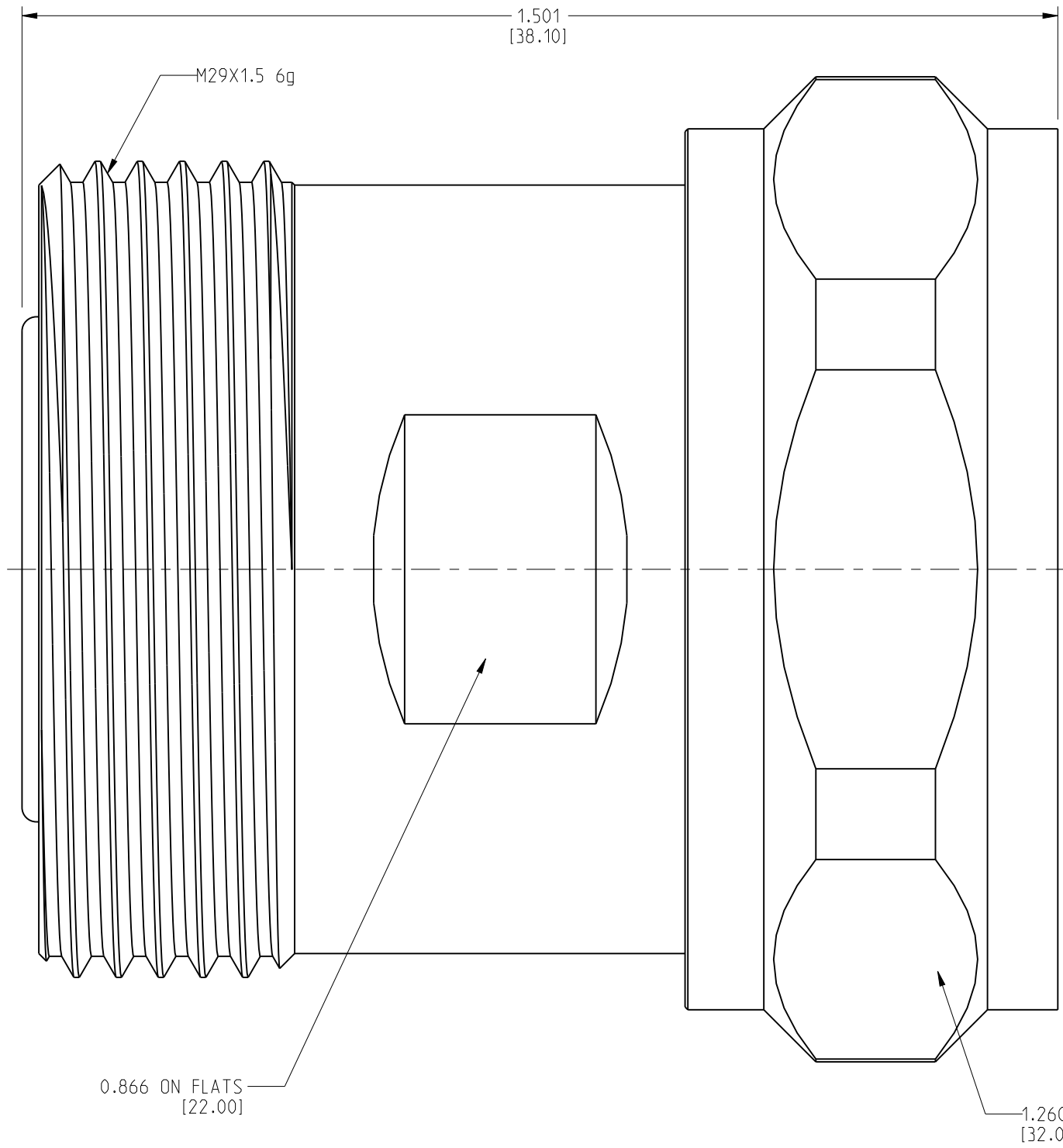
1. ELECTRIC PERFORMANCE  
 IMPEDANCE ( $\Omega$ ) : 50  
 FREQUENCY RANGE : DC-6GHz  
 VSWR :  $\leq 1.065$  (DC-3GHz)  
 :  $\leq 1.1$  (3-6GHz)  
 INSERT LOSS :  $\leq 0.1$   
 INSULATION RESISTANCE ( $M\Omega$ ) :  $>10000$   
 PIM(dBc) :  $\leq -160$  (2X43dBm)  
 PROOF VOLTAGE (V) : 3000  
 CONDUCTOR RESISTANCE ( $m\Omega$ ) : OUTER CONDUCTOR  $<0.2$   
 : INNER CONDUCTOR  $<0.8$

II. MECHANICAL PERFORMANCE  
 MECHANICAL WEAR : 500  
 NUT TORQUE: 25 N.m

III. MATERIAL AND PLATING  
 INNER CONDUCTOR : SPRING COPPER PLATING Ag5  $\mu m$   
 OUTER CONDUCTOR : BRASS PLATING COPPER-TIN-ZINC 2  $\mu m$   
 NUT : BRASS PLATING Ni5  $\mu m$   
 INSULATOR : PTFE  
 ROHS COMPLIANT

IV. ENVIRONMENT  
 TEMP RANGE : -55°C TO +155°C  
 WATERPROOF STANDARD : IP67  
 ROHS COMPLIANT

272292		REVISIONS			
DRAWING NO.	REV	DESCRIPTION	DATE	ECO	APPR
THIRD ANGLE PROJ.	A	RELEASE TO MFG.	17-Jul-10	--	
	B	LOW PIM ADDED IN DESCRIPTION ISOMETRIC VIEW ADDED	01-Oct-12	2384	AAP



SCALE 1.300

4	NUT	BRASS	NICKEL	1
3	INNER CONDUCTOR	BRASS	SILVER	1
2	INSULATOR	PTFE	NATURAL	1
1	OUTER CONDUCTOR	BRASS	WHITE BRONZE	1
NO	DESCRIPTION	MATERIAL	FINISH	QTY

UNLESS OTHERWISE SPECIFIED, DIMENSIONS ARE IN INCHES AND TOLERANCES ARE: 2 PLACE DECIMAL $\pm 0.015$ (0,381 mm) 3 PLACE DECIMAL $\pm 0.005$ (0,127 mm) ANGLES $\pm 1^\circ$		MATERIAL SEE NOTES	DRAWN A ARUN PRABU	DATE 01-Oct-12	TITLE 7/16 FEMALE TO MALE ADAPTER,LOW PIM	Amphenol Connex
NOTICE - These drawings, specifications, or other data (1) are, and remain the property of Amphenol Corp. (2) must be returned upon request; and (3) are confidential and not to be disclosed to any person other than those to whom they are given by Amphenol Corp. The furnishing of these drawings, specifications, or other data by Amphenol Corp., or to any other person to anyone for any purpose is not to be regarded by implication or otherwise in any manner licensing, granting rights or permitting such holder or any other person to manufacture, use or sell any product, process or design, patented or otherwise, that may in any way be related to or disclosed by said drawings, specifications, or other data.		REFERENCE	ENGINEER A ARUN PRABU	DATE 01-Oct-12		
			APPROVED	DATE	SCALE: 4.8:1	SHEET 1 OF 1
			CAD FILE	DWG SIZE B	DRAWING NO. 272292	REV B