

NOTE:

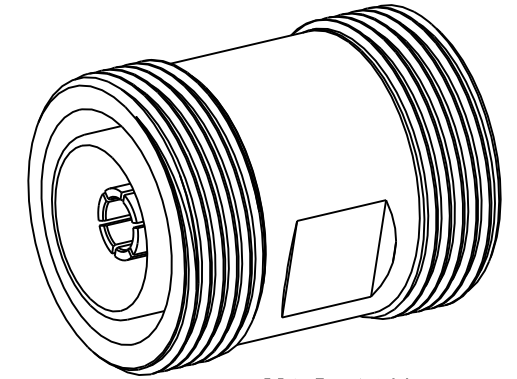
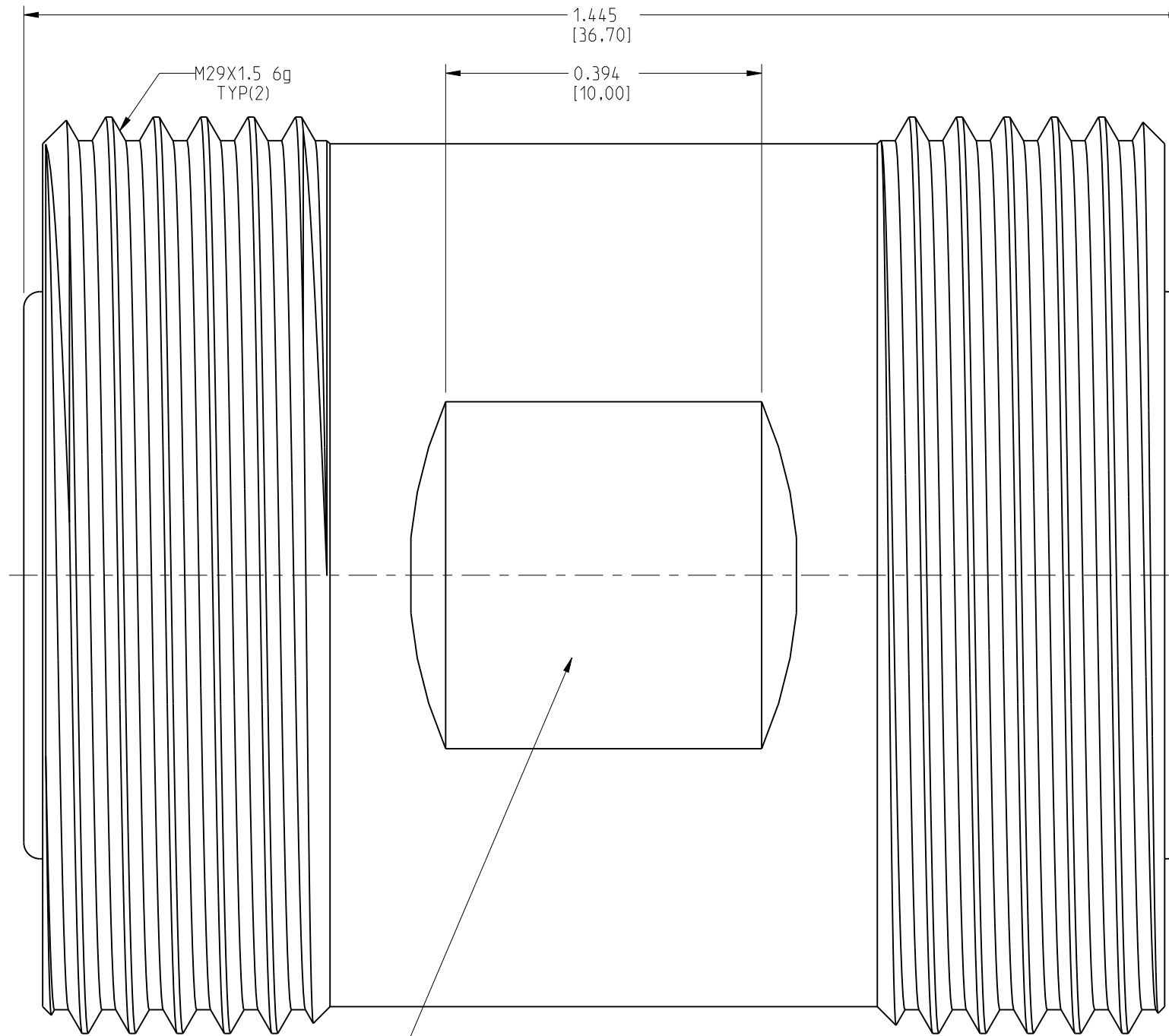
- 1. ELECTRIC PERFORMANCE
  - IMPEDANCE ( $\Omega$ ) : 50
  - FREQUENCY RANGE : DC-6GHz
  - VSWR :  $\leq 1.065$  (DC-3GHz)
  - :  $\leq 1.1$  (3-6GHz)
  - INSERT LOSS :  $< 0.1$
  - PIM(dBc) :  $< -160$  (2X43dBm)
  - INSULATION RESISTANCE ( $M\Omega$ ) : 10000
  - PROOF VOLTAGE (V) : 3000
  - CONDUCTOR RESISTANCE ( $m\Omega$ ) : OUTER CONDUCTOR  $< 0.2$
  - : INNER CONDUCTOR  $< 0.8$

- II. MECHANICAL PERFORMANCE
  - MECHANICAL WEAR : 500

- III. MATERIAL AND PLATING
  - OUTER CONDUCTOR : BRASS PLATING COPPER-TIN-ZINC  $2\mu m$
  - INNER CONDUCTOR : BERYLLIUM COPPER PLATING  $Ag5\mu m$
  - INSULATOR : PTFE

- IV. ENVIRONMENT
  - TEMP RANGE :  $-55^{\circ}C$  TO  $+155^{\circ}C$
  - WATERPROOF STANDARD : IP67
  - ROHS COMPLIANT

272300		REVISIONS			
DRAWING NO.	REV	DESCRIPTION	DATE	ECO	APPR
THIRD ANGLE PROJ.	A	RELEASE TO MFG.	01-Oct-12	--	AAP



SCALE 1.400

3	INNER CONDUCTOR	SPRING COPPER	GOLD	1
2	INSULATOR	PTFE	NATURAL	1
1	OUTER CONDUCTOR	BRASS	WHITE BRONZE	1
NO	DESCRIPTION	MATERIAL	FINISH	QTY

UNLESS OTHERWISE SPECIFIED, DIMENSIONS ARE IN INCHES AND TOLERANCES ARE:  
 2 PLACE DECIMAL  $\pm 0.015$  (0,381 mm)  
 3 PLACE DECIMAL  $\pm 0.005$  (0,127 mm)  
 ANGLES  $\pm 1^{\circ}$

NOTICE - These drawings, specifications, or other data (1) are, and remain the property of Amphenol Corp. (2) must be returned upon request; and (3) are confidential and not to be disclosed to any person other than those to whom they are given by Amphenol Corp. The furnishing of these drawings, specifications, or other data by Amphenol Corp., or to any other person to anyone for any purpose is not to be regarded by implication or otherwise in any manner licensing, granting rights or permitting such holder or any other person to manufacture, use or sell any product, process or design, patented or otherwise, that may in any way be related to or disclosed by said drawings, specifications, or other data.

MATERIAL	SEE NOTES
REFERENCE	

DRAWN	A ARUN PRABU	DATE	01-Oct-12
ENGINEER	A ARUN PRABU	DATE	01-Oct-12
APPROVED		DATE	
CAD FILE			

TITLE	7/16 FEMALE TO FEMALE ADAPTER, LOW PIM
DWG SIZE	B
DRAWING NO.	272300

Amphenol Connex	
SCALE: 5.5:1	SHEET 1 OF 1
REV	A