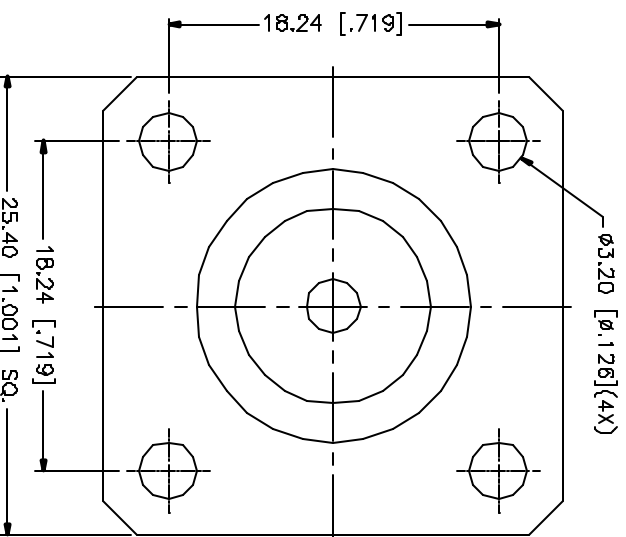
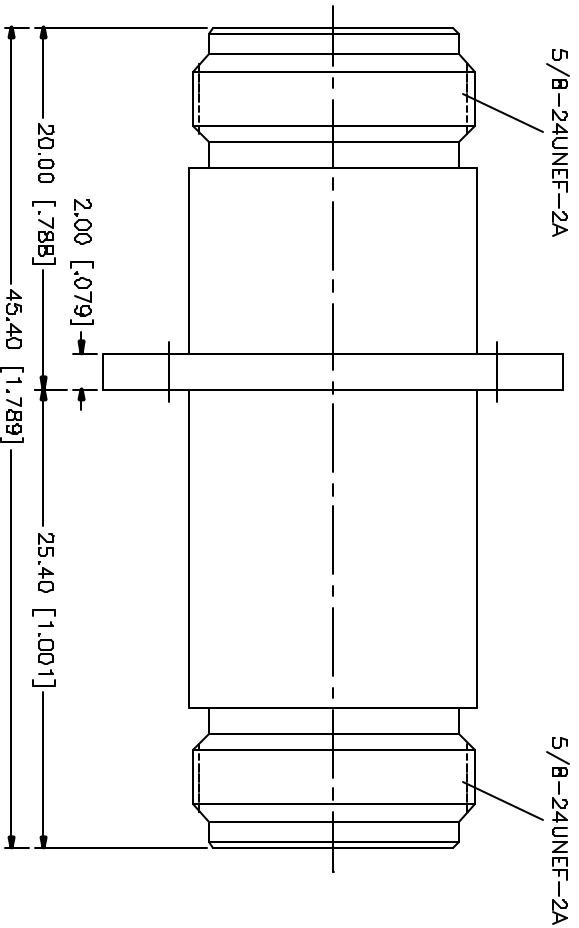


REV.	DATE	DESCRIPTION
NC	10/03/01	INITIAL RELEASE



DESCRIPTION	MATERIAL	FINISH	UNLESS OTHERWISE SPECIFIED DIMENSIONS ARE IN MILLIMETERS	APPROVALS	DATE	TITLE
1 BODY W/PANEL	BRASS	NICKEL	DIMENSIONS IN [ ] ARE IN INCHES FOR CUSTOMER REFERENCE ONLY  UNLESS OTHERWISE SPECIFIED TOLERANCES FOR MILLIMETERS ARE: 0.5-5 = ± 0.2 6-30 = ± 0.4 30-120 = ± 0.6 120-315 = ± 1 315-1000 = ± 1.6 1000-2000 = ± 2.4	DRAWN	G.R.S.	10/03/01
2 INSULATOR	TEFLON	NATURAL		CHECKED		
3 CONTACT PIN	PHOS. BRONZE	GOLD		ISSUED		
4						
5						
6						
7						
8						



N PANEL JACK TO JACK ADAPTOR

SIZE	PFORM NO.	DWG. NO.	REV.
A	99001	172278-10.DWG	NC
SCALE	NA	PART NO.	172278-10
		SHEET	1 OF 1