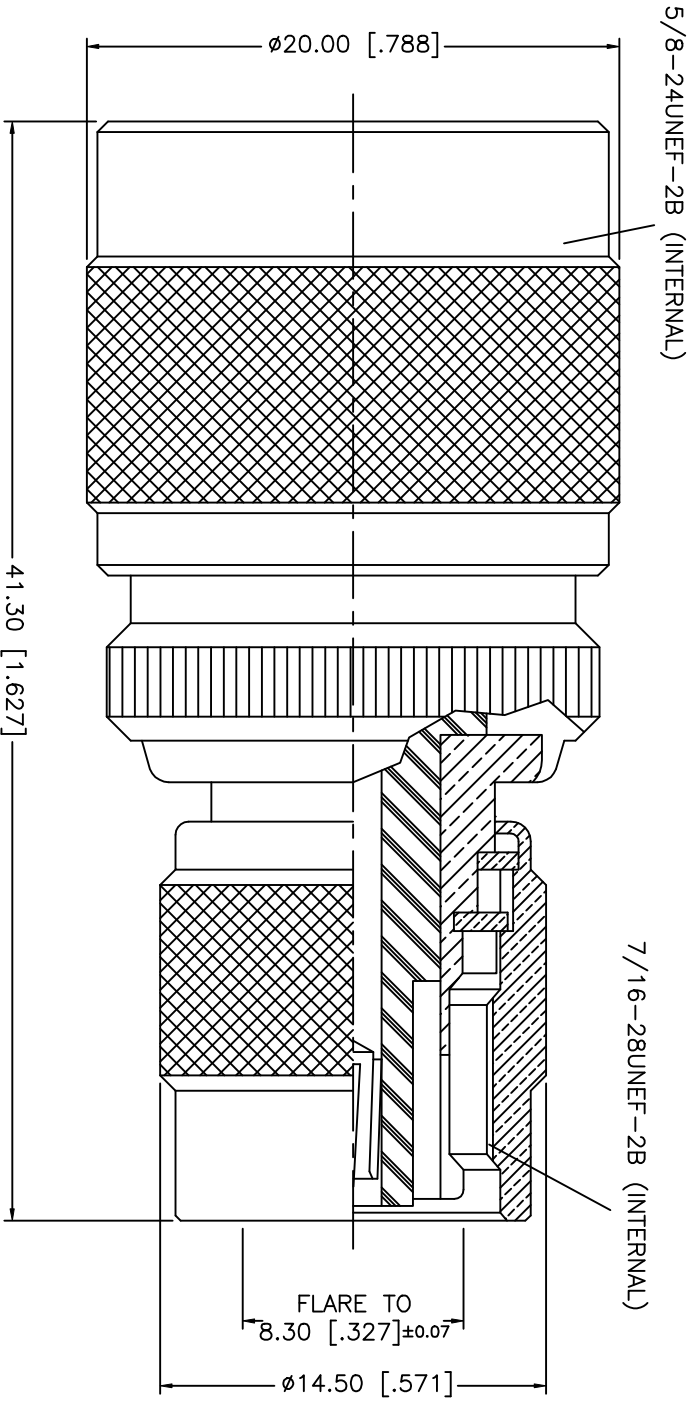


| REV. | DATE | DESCRIPTION |
|------|----------|-----------------|
| NC | 07/15/02 | INITIAL RELEASE |



| 8 | DESCRIPTION | MATERIAL | FINISH |
|---|---------------|--------------|---------|
| 7 | WASHER | BRASS | NICKEL |
| 6 | GASKET | RUBBER | RED |
| 5 | RETAINER RING | BER. COPPER | NATURAL |
| 4 | CONTACT PIN | PHOS. BRONZE | GOLD |
| 3 | INSULATOR | TEFLON | NATURAL |
| 2 | SHELL/BODY | BRASS | NICKEL |
| 1 | DESCRIPTION | MATERIAL | FINISH |

| | | | | | |
|---|--|--------------|--|----------|--|
| UNLESS OTHERWISE SPECIFIED DIMENSIONS ARE IN MILLIMETERS | | APPROVALS | | DATE | |
| DIMENSIONS IN [] ARE IN INCHES FOR CUSTOMER REFERENCE ONLY | | DRAWN G.R.S. | | 07/15/02 | |
| UNLESS OTHERWISE SPECIFIED TOLERANCES FOR INCHES ARE: .XXX = ± 0.005" .XX = ± 0.010" .X = ± 0.020" | | CHECKED | | | |
| DO NOT SCALE DRAWING | | ISSUED | | | |

| | | | | | |
|--|----------|----------|------|------|--|
| Amphenol - Connex CONNECTOR CORPORATION | | | | | |
| TITLE: N PLUG TO TNC REVERSE POLARITY PLUG ADAPTOR | | | | | |
| SIZE | FSCM NO. | DWG. NO. | REV. | | |
| A | 99001 | 242133RP | NC | | |
| SCALE | PART NO. | SHEET | | OF | |
| NA | 242133RP | 1 | | OF 1 | |