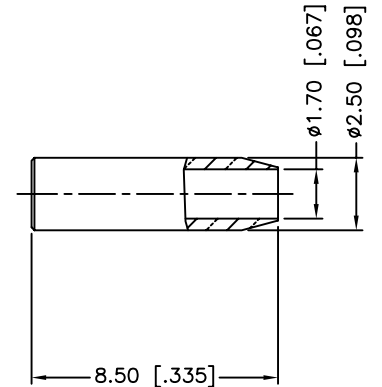
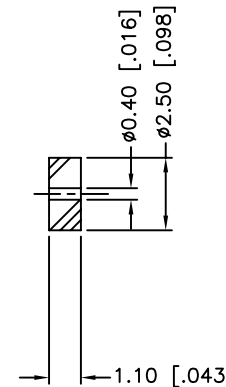
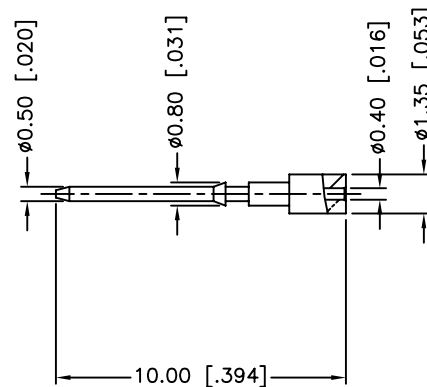
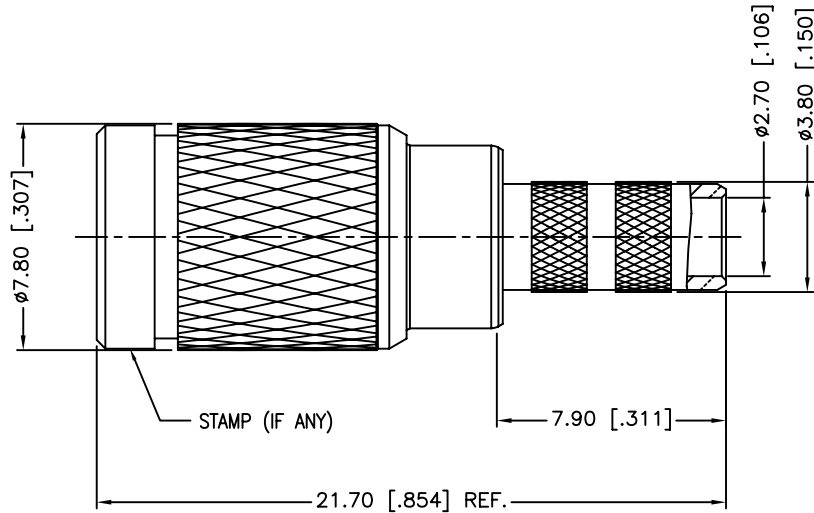
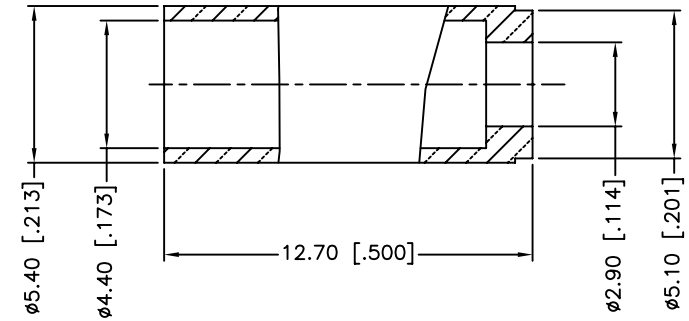


RECOMMENDED  
CABLE STRIPPING DIM'S

REV.	DATE	ECR NO.	DESCRIPTION
NC	09/16/03	XXXXXX	INITIAL RELEASE
A	10/16/07	XXXXXX	REVISE BODY DIA. (7.8MM) AND FERRULE LENGTH (9.5MM) REVISE CABLE STRIPPING - ADD FOIL REMOVAL
B	07/20/08	XXXXXX	REVISE OVERALL BODY LENGTH TO 18.80MM
C	04/15/10	XXXXXX	THE DESIGN WAS CHANGED



1. FREQUENCY RANGE: DC - 3 GHz
2. VSWR (RETURN LOSS): 1.15, MAX.
3. CRIMPED FERRULE  
HEX CRIMP SIZE .178"
4. CRIMPED CONTACT PIN  
HEX CRIMP SIZE .043"

DESCRIPTION	MATERIAL	FINISH	QTY
10 FERRULE	BRASS	NICKEL	1
9 SPACER	BRASS	NICKEL	1
8 SLEEVE	PTFE	NATURAL	1
7 CONTACT PIN	BRASS	GOLD	1
6 BARREL	BRASS	NICKEL	1
5 INSULATOR	PTFE	NATURAL	1
4 OUT CONTACT	BER. COPPER	GOLD	1
3 BODY	BRASS	NICKEL	1
2 SPRING	BER. COPPER	NATURAL	1
1 SHELL	BRASS	NICKEL	1

UNLESS OTHERWISE SPECIFIED DIMENSIONS ARE IN MILLIMETERS. DIMENSIONS IN [ ] ARE IN INCHES AND FOR CUSTOMER REFERENCE ONLY.

UNLESS OTHERWISE SPECIFIED TOLERANCES FOR MILLIMETERS ARE:  
0.5 - 8mm ± 0.20mm  
8 - 30mm ± 0.40mm  
30 - 120mm ± 0.50mm

UNLESS OTHERWISE SPECIFIED TOLERANCES FOR INCHES ARE:  
.020 - .315 = ± 0.007"  
.315 - 1.180 = ± 0.015"  
1.180 - 4.724 = ± 0.020"

DO NOT SCALE DRAWING

APPROVALS		DATE
DRAWN	M.ZHANG	04/15/10
CHECKED		
ISSUED		
SHEET	1 OF 1	
CAD FILE	C:/CONNEX/282103-75.DWG	

<b>Amphenol Connex</b>			
PART DESCRIPTION <b>1.0/2.3 PUSH-PULL CRIMP PLUG (FOR BELDEN 179DT CABLE)</b>			
PART NO. <b>282103-75</b>			
DWG. NO.	282103-75.DWG	REV.	C
SIZE	A	SCALE	NA