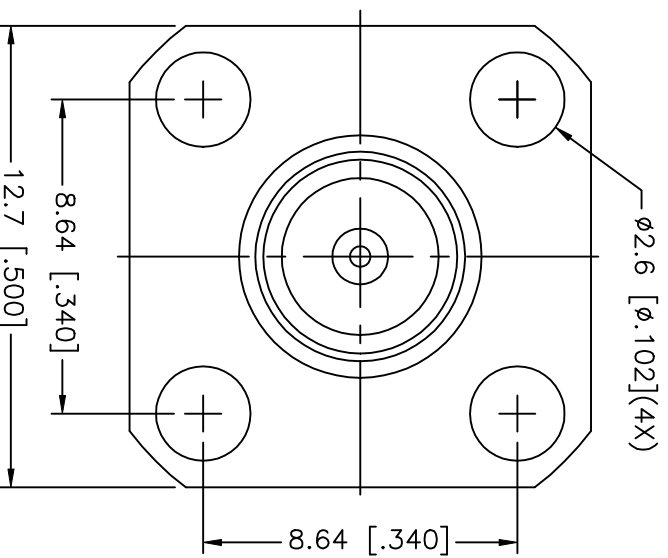
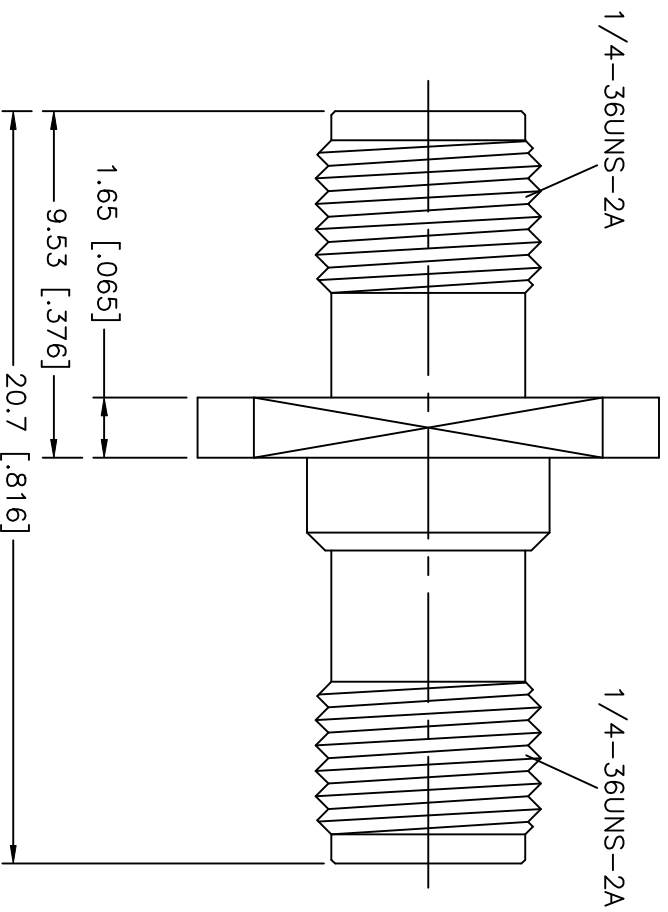


REV.	DATE	DESCRIPTION
NC	02/11/02	INITIAL RELEASE



NOTES:
 1. MAX. PANEL THICKNESS = 6.35mm [.250]

DESCRIPTION	MATERIAL	FINISH	UNLESS OTHERWISE SPECIFIED DIMENSIONS ARE IN MILLIMETERS FOR CUSTOMER REFERENCE ONLY	APPROVALS	DATE	TITLE
1 BODY	BRASS	NICKEL	UNLESS OTHERWISE SPECIFIED DIMENSIONS ARE IN MILLIMETERS FOR CUSTOMER REFERENCE ONLY UNLESS OTHERWISE SPECIFIED TOLERANCES FOR MILLIMETERS ARE: 0.5-6 = ± 0.2 6-30 = ± 0.4 30-120 = ± 0.6 120-315 = ± 1 315-1000 = ± 1.6 1000-2000 = ± 2.4	DRAWN	02/11/02	Amphenol - Connex CONNECTOR CORPORATION SMA PANEL FEMALE TO FEMALE ADAPTOR
2 INSULATOR	TEFLON	NATURAL		CHECKED	G.R.S.	
3 CONTACT PIN	BER. COPPER	GOLD		ISSUED		
4						
5						
6						
7						
8						

SIZE	FSQM NO.	DWG. NO.	REV.
A	99001	132340.DWG	NC

SCALE	PART NO.	SHEET
NA	132340	1 OF 1

DO NOT SCALE DRAWING