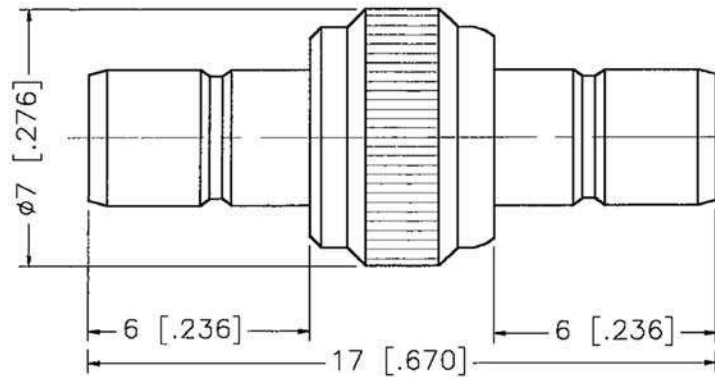



REV.	DATE	DESCRIPTION
NC	07/19/99	INITIAL RELEASE



DESCRIPTION	MATERIAL	FINISH	UNLESS OTHERWISE SPECIFIED DIMENSIONS ARE IN MILLIMETERS DIMENSIONS IN [ ] ARE IN INCHES FOR CUSTOMER REFERENCE ONLY	APPROVALS	DATE	 <b>Connex</b> Connector Corporation				
				DRAWN						
1 HOUSING	BRASS	GOLD	UNLESS OTHERWISE SPECIFIED TOLERANCES FOR MILLIMETERS ARE: 0.5-6 = ± 0.2 6-30 = ± 0.4 30-120 = ± 0.6 120-315 = ± 1 315-1000 = ± 1.6 1000-2000 = ± 2.4	CHECKED			SMB JACK TO JACK ADAPTOR			
2 INSULATOR	TEFLON	NATURAL		ISSUED			A	99001	142244.DWG	NC
3 CONTACT PIN	BRASS	GOLD					SCALE	NA	PART NO.	142244
4 BODY	BRASS	GOLD					SHEET			1 OF 1
5										
6										
7										
8				DO NOT SCALE DRAWING						