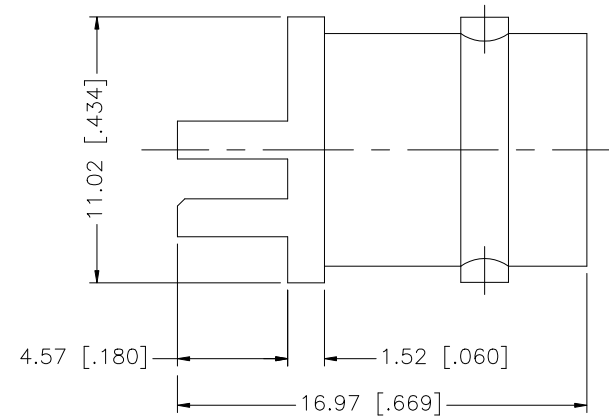
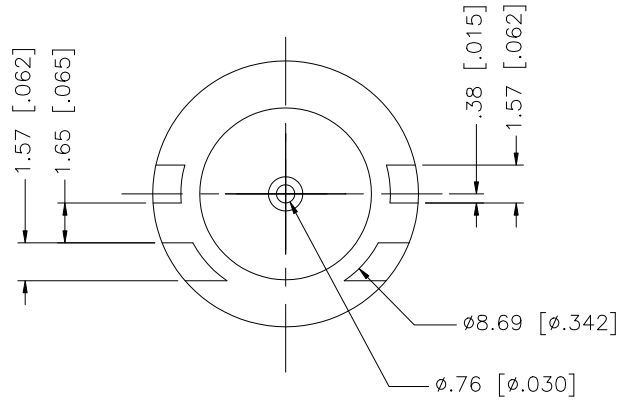


REV.	DATE	ECR NO.	DESCRIPTION
NC	09/28/99	-	INITIAL RELEASE
A	07/18/05	-	UPDATE DRAWING FORMAT
B	06/12/08	100028	ADD NOTES



NOTES:

1. IMPEDANCE: 50 ohms
2. VSWR: 1.3 MAX TO 4GHz
3. FREQUENCY RANGE: DC - 4GHz
4. RF LEAKAGE: 55dB MIN @ 3GHz
5. INSULATION RESISTANCE: 5000 Mohms MIN.

				UNLESS OTHERWISE SPECIFIED DIMENSIONS ARE IN MILLIMETERS. DIMENSIONS IN [] ARE IN INCHES AND FOR CUSTOMER REFERENCE ONLY.	APPROVALS	DATE	<h1>Amphenol Connex</h1>				
8					DRAWN	GRS					06/12/08
7					CHECKED			PART NO. 112640			
6					ISSUED						
5					SHEET	1 OF 1		DO NOT SCALE DRAWING			
4					CAD FILE	C:/112/112640.DWG					
3	CONTACT PIN	PHOS. BRONZE	GOLD	1							
2	INSULATOR	PTFE	NATURAL	1							
1	BODY	BRASS	NICKEL	1							

UNLESS OTHERWISE SPECIFIED DIMENSIONS ARE IN MILLIMETERS. DIMENSIONS IN [] ARE IN INCHES AND FOR CUSTOMER REFERENCE ONLY.

UNLESS OTHERWISE SPECIFIED TOLERANCES FOR MILLIMETERS ARE:
0.5 - 8mm ± 0.20mm
8 - 30mm ± 0.40mm
30 - 120mm ± 0.50mm

UNLESS OTHERWISE SPECIFIED TOLERANCES FOR INCHES ARE:
.020 - .315 = ± 0.007"
.315 - 1.180 = ± 0.015"
1.180 - 4.724 = ± 0.020"

DO NOT SCALE DRAWING