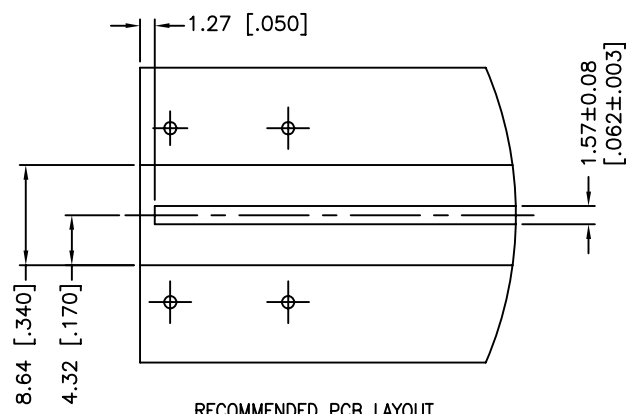
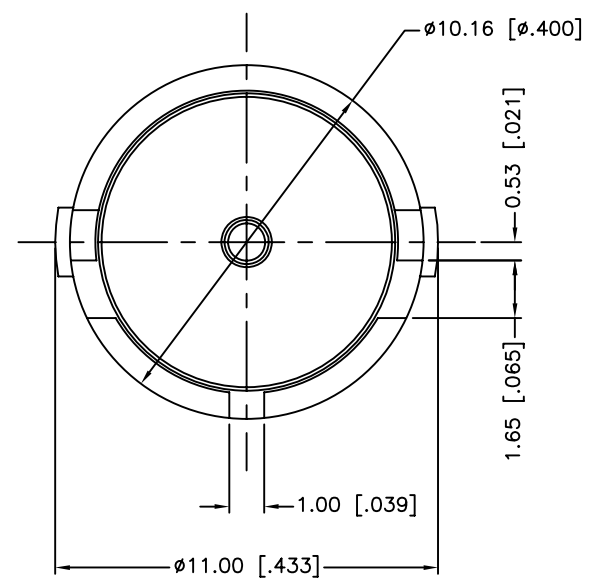
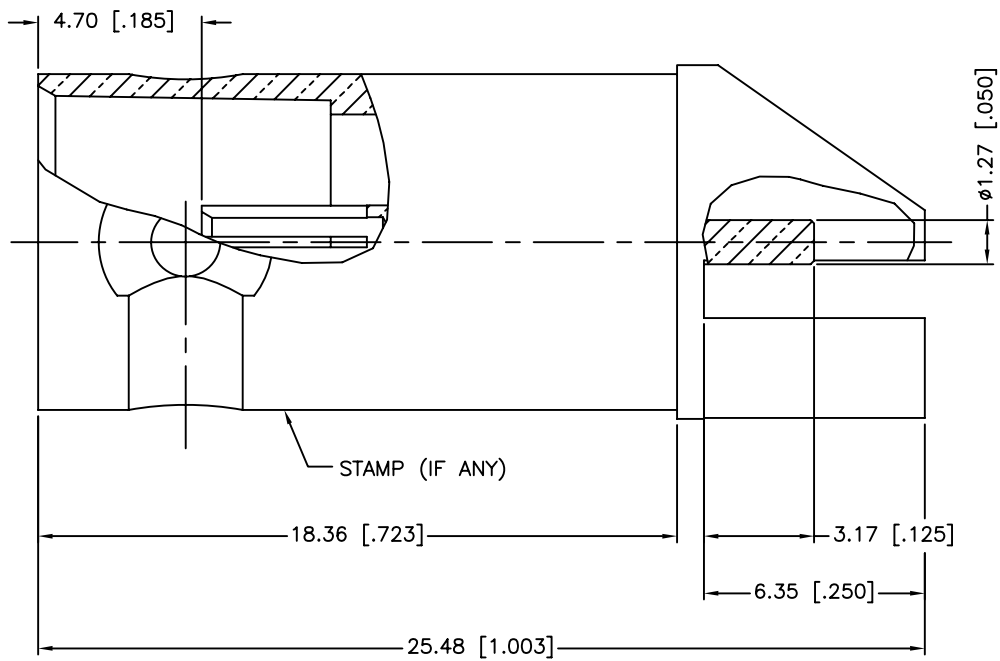


REV.	DATE	ECR NO.	DESCRIPTION
NC	04/14/10	XXXXXX	INITIAL RELEASE



RECOMMENDED PCB LAYOUT  
SCALE 1:3



1. FREQUENCY RANGE: DC – 3 GHz
2. VSWR(RETURN LOSS): 1.15 MAX DC – 3GHz

QTY	DESCRIPTION	MATERIAL	FINISH
3	CONTACT PIN	BER. COPPER	GOLD
2	INSULATOR	PTFE	NATURAL
1	BODY	BRASS	GOLD

UNLESS OTHERWISE SPECIFIED DIMENSIONS ARE IN MILLIMETERS. DIMENSIONS IN [ ] ARE IN INCHES AND FOR CUSTOMER REFERENCE ONLY.

UNLESS OTHERWISE SPECIFIED TOLERANCES FOR MILLIMETERS ARE:  
0.5 – 8mm ± 0.20mm  
8 – 30mm ± 0.40mm  
30 – 120mm ± 0.50mm

UNLESS OTHERWISE SPECIFIED TOLERANCES FOR INCHES ARE:  
.020 – .315 = ± 0.007"  
.315 – 1.180 = ± 0.015"  
1.180 – 4.724 = ± 0.020"

DO NOT SCALE DRAWING

APPROVALS	DATE
DRAWN M.ZHANG	04/14/10
CHECKED	
ISSUED	
SHEET 1 OF 1	
CAD FILE C:/CONNEX/112801.DWG	

**Amphenol Connex**

PART DESCRIPTION  
**BNC PCB MOUNT RECEPT. JACK  
(FOR 75 OHMS)**

PART NO.  
**112801**

DWG. NO. 112801.DWG	REV. NC	SIZE A	SCALE NA
---------------------	---------	--------	----------