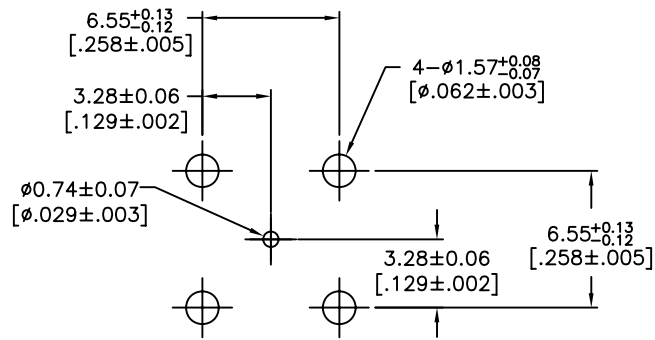
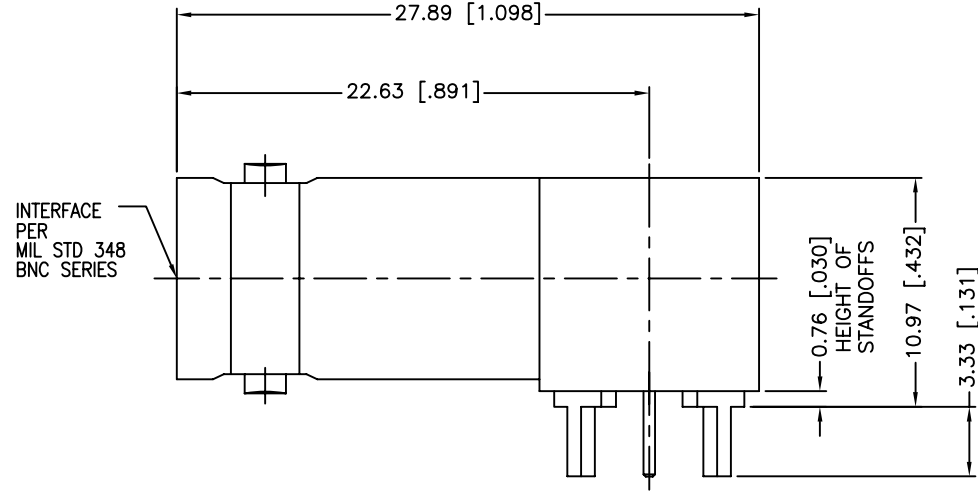
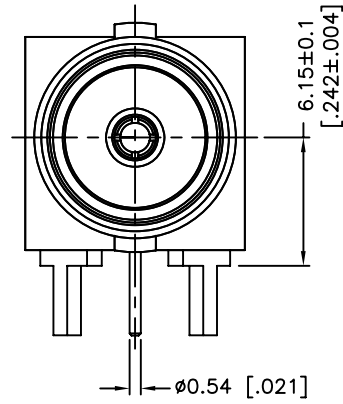
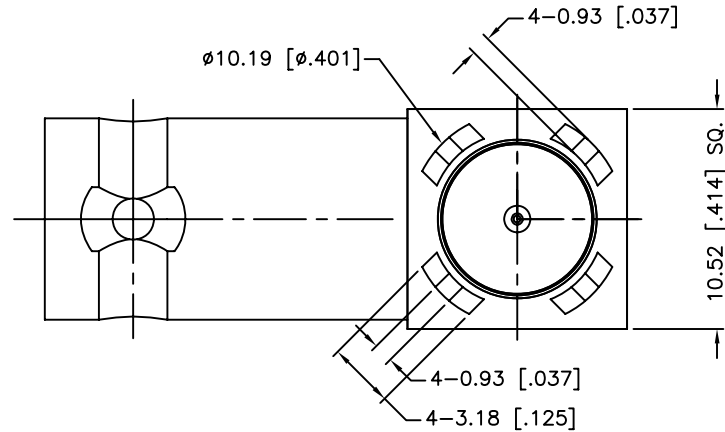


REV.	DATE	ECR NO.	DESCRIPTION
NC	03/06/10	XXXXXX	INITIAL RELEASE
A	06/18/10	2060	CHANG LEG THICKNESS TO FIT INTO BOARD .062"



RECOMMENDED
PCB CONFIGURATION



1. FREQUENCY RANGE: DC-4 GHz
2. VSWR(RETURN LOSS): -28 dB

QTY	DESCRIPTION	MATERIAL	FINISH	QTY
5	LOCK RING	BRASS	NICKEL	1
4	INSULATOR	PTFE	NATURAL	1
3	CONTACT PIN	BER. COPPER	GOLD	1
2	INSULATOR	PTFE	NATURAL	1
1	BODY	BRASS	NICKEL	1

UNLESS OTHERWISE SPECIFIED DIMENSIONS ARE IN MILLIMETERS. DIMENSIONS IN [] ARE IN INCHES AND FOR CUSTOMER REFERENCE ONLY.

UNLESS OTHERWISE SPECIFIED TOLERANCES FOR MILLIMETERS ARE:
0.5 - 8mm ± 0.20mm
8 - 30mm ± 0.40mm
30 - 120mm ± 0.50mm

UNLESS OTHERWISE SPECIFIED TOLERANCES FOR INCHES ARE:
.020 - .315 = ± 0.007"
.315 - 1.180 = ± 0.015"
1.180 - 4.724 = ± 0.020"

DO NOT SCALE DRAWING

APPROVALS	DATE
DRAWN M.ZHANG	06/18/10
CHECKED	
ISSUED	
SHEET 1 OF 1	
CAD FILE	C:/CONNEX/112778.DWG

Amphenol Connex			
PART DESCRIPTION BNC R/A JACK RECEPTACLE PCB MOUNT (75 OHM)			
PART NO.		112778	
DWG. NO.	112778.DWG	REV.	A
SIZE	A	SCALE	NA