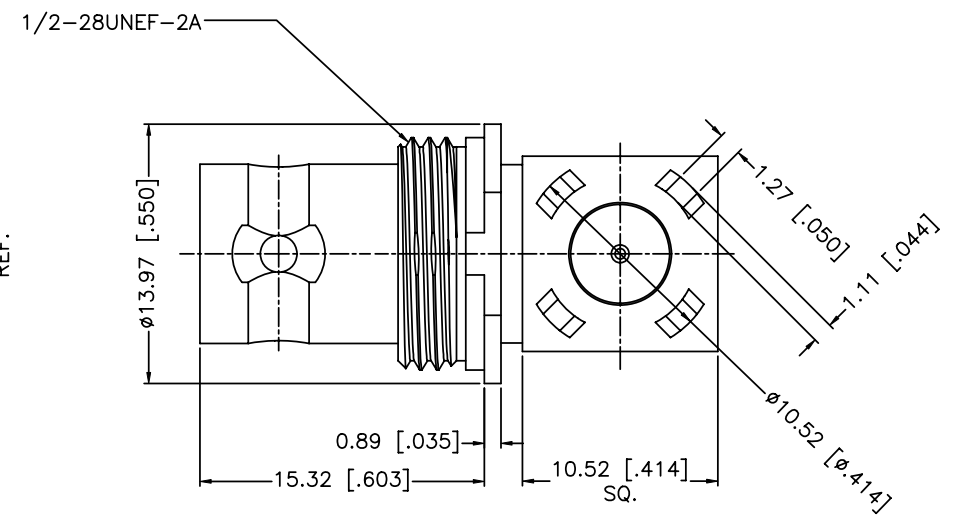
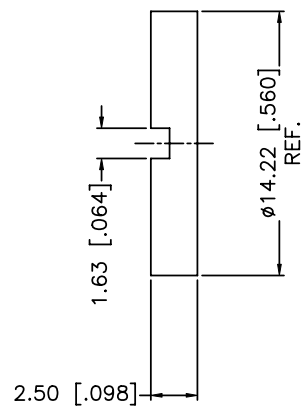
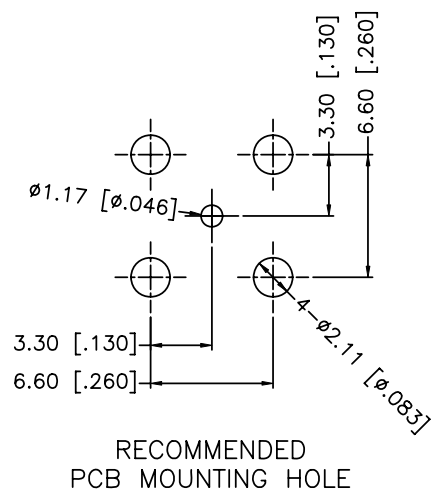
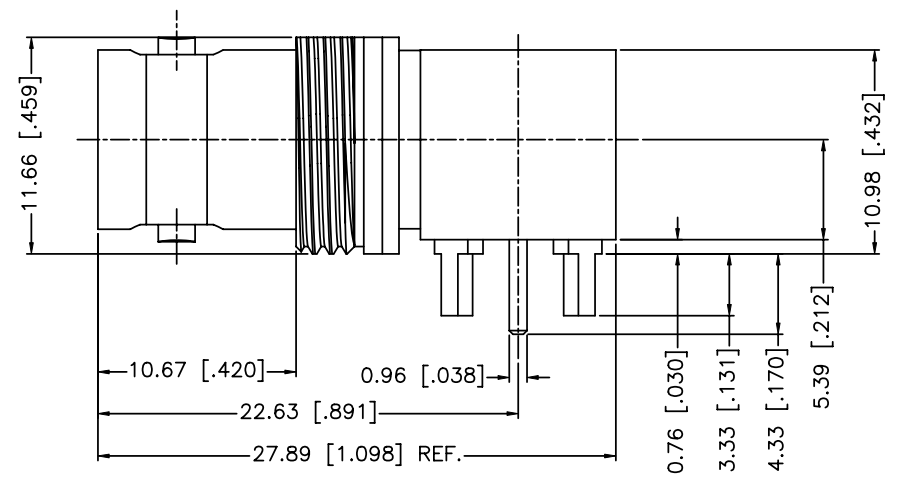
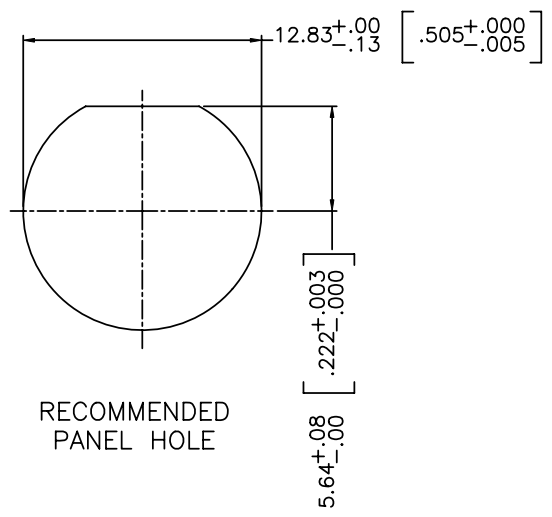


REV.	DATE	ECR NO.	DESCRIPTION
NC	12/13/10	XXXXXX	INITIAL RELEASE



1. PANEL THICKNESS=2.0 MM [.079"]

UNLESS OTHERWISE SPECIFIED DIMENSIONS ARE IN MILLIMETERS. DIMENSIONS IN [] ARE IN INCHES AND FOR CUSTOMER REFERENCE ONLY.

UNLESS OTHERWISE SPECIFIED TOLERANCES FOR MILLIMETERS ARE:
0.5 - 8mm ± 0.20mm
8 - 30mm ± 0.40mm
30 - 120mm ± 0.50mm

UNLESS OTHERWISE SPECIFIED TOLERANCES FOR INCHES ARE:
.020 - .315 = ± 0.007"
.315 - 1.180 = ± 0.015"
1.180 - 4.724 = ± 0.020"

DO NOT SCALE DRAWING

APPROVALS	DATE
DRAWN F.WANG	12/13/10
CHECKED	
ISSUED	
SHEET 1 OF 1	
CAD FILE	C:/CONNEX/112809-75.DWG

Amphenol Connex

PART DESCRIPTION
**BNC JACK R/A PCB 75 OHM
3GHZ BULKHEAD**

PART NO. **112809-75**

DWG. NO. 112809-75.DWG REV. NC SIZE A SCALE NA

DESCRIPTION	MATERIAL	FINISH	QTY
5 NUT	BRASS	NICKEL	1
4 HOUSING	BRASS	TIN	1
3 CONTACT PIN	PHOSPHOR BRONZE	GOLD	1
2 INSULATOR	PTFE	NATURAL	2
1 BODY	BRASS	NICKEL	1