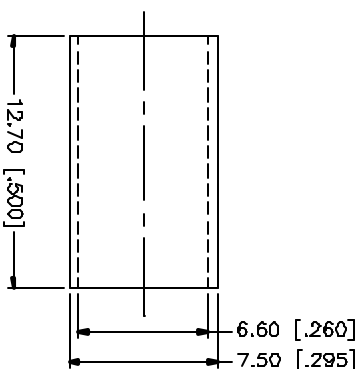
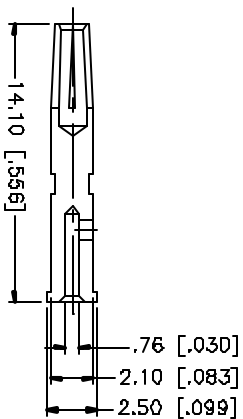
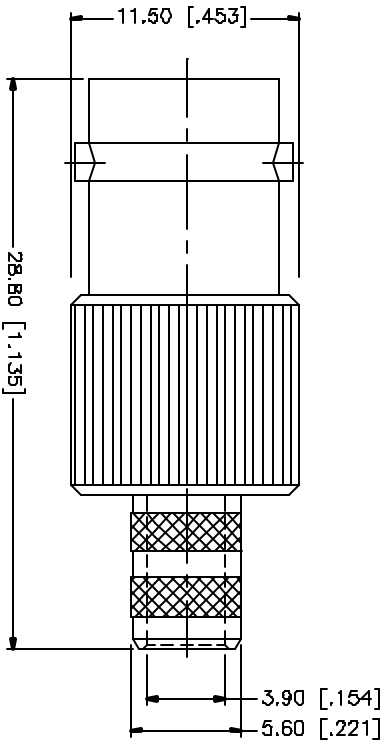
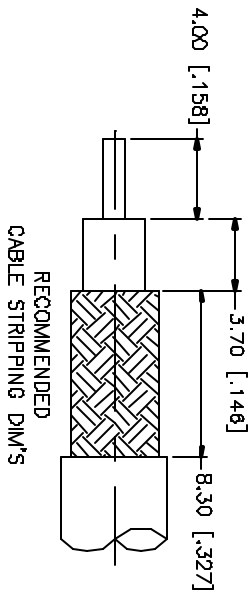


REV.	DATE	DESCRIPTION
NC	05/12/05	INITIAL RELEASE



NOTE:

1. CRIMPED FERRULE  
HEX CRIMP SIZE .213"
2. CRIMPED CONTACT PIN  
HEX CRIMP SIZE .068"

REV.	DATE	DESCRIPTION
8		
7		
6		
5		
4		
3		
2		
1		

DESCRIPTION	MATERIAL	FINISH	QTY
1	BRASS	NICKEL	1
2	INSULATOR	TEFLON	1
3	CONTACT PIN	PHOS. BRONZE	1
4	FERRULE	BRASS	1
5			
6			
7			
8			

APPROVALS	DATE
G.R.S.	05/12/05

QAD FILE	DWG. NO.	REV.	SIZE	SCALE
C:/112/112146.DWG	112146.DWG	NC	A	NA

DO NOT SCALE DRAWING
<p>JANUS DREWING SPECIFIC DIMENSIONS ARE IN MILLIMETERS UNLESS NOTED IN [ ] ARE IN INCHES AND FOR DIMENSIONS NOTED IN [ ] ARE IN MILLIMETERS UNLESS NOTED IN [ ] ARE IN INCHES</p> <p>JANUS DREWING SPECIFIC TOLERANCES FOR MILLIMETERS ARE:  0.5 - 8mm ± 0.20mm  8 - 30mm ± 0.40mm  30 - 120mm ± 0.50mm</p> <p>JANUS DREWING SPECIFIC TOLERANCES FOR INCHES ARE:  .020 - .315 = ± 0.001"  .315 - 1.180 = ± 0.015"  1.180 - 4.724 = ± 0.020"</p>

PART DESCRIPTION	PART NO.
BNC CRIMP JACK (FOR RG-59/U CABLE) 50ohms	112146