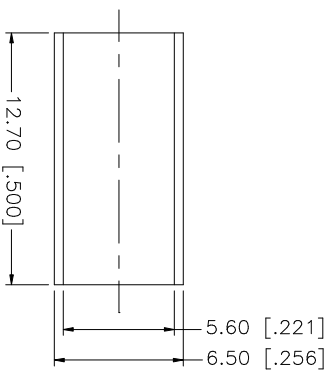
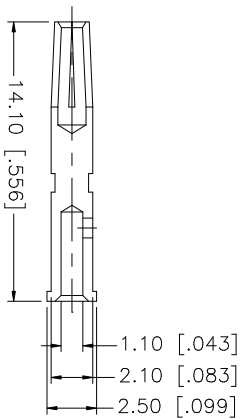
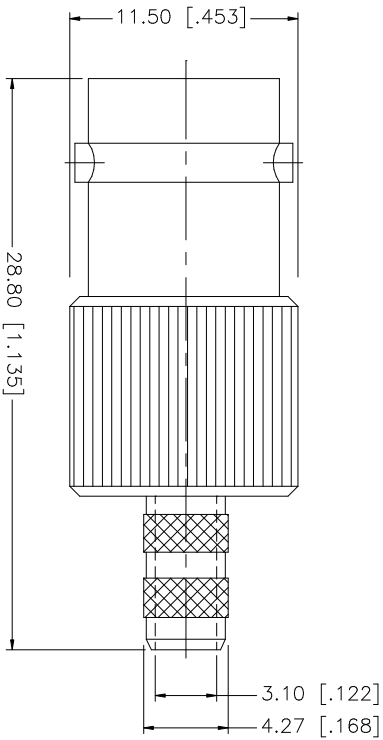
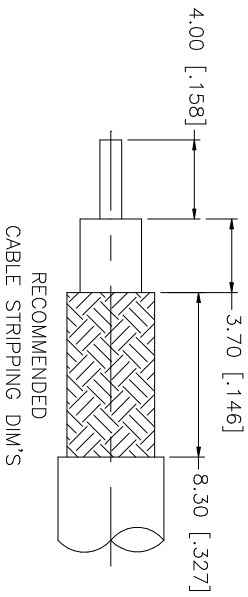


REV.	DATE	DESCRIPTION
NC	07/31/05	INITIAL RELEASE
A	10/30/05	MODIFY FERRULE DIMENSIONS, ADD CABLE DESCRIPTION.



NOTE:

1. CRIMPED FERRULE
HEX CRIMP SIZE .213"
2. CRIMPED CONTACT PIN
HEX CRIMP SIZE .068"

QTY	FINISH	MATERIAL	DESCRIPTION
1	NICKEL	BRASS	HOUSING/BODY
1	NATURAL	DELRIN	INSULATOR
1	GOLD	PHOS. BRONZE	CONTACT PIN
1	NICKEL	COPPER	FERRULE

APPROVALS	DATE
DRAWN G.R.S.	10/30/05
CHECKED	
ISSUED	
SHEET 1 OF 1	

DO NOT SCALE DRAWING	UNLESS OTHERWISE SPECIFIED DIMENSIONS ARE IN MILLIMETERS. DIMENSIONS IN [] ARE IN INCHES AND FOR CUSTOMER REFERENCE ONLY.
	UNLESS OTHERWISE SPECIFIED TOLERANCES FOR MILLIMETERS ARE: 0.5 - 8mm ± 0.20mm 8 - 30mm ± 0.40mm 30 - 120mm ± 0.50mm
	UNLESS OTHERWISE SPECIFIED TOLERANCES FOR INCHES ARE: .020 - .315 = ± 0.007" .315 - 1.180 = ± 0.015" 1.180 - 4.724 = ± 0.020"

CAD FILE	DWG. NO.	REV.	SIZE	SCALE
C:/112/112513.DWG	112513.DWG	A	A	NA

PART DESCRIPTION	PART NO.
BNC CRIMP JACK (FOR RG-223/U, 142/U, 402/U CABLE)	112513