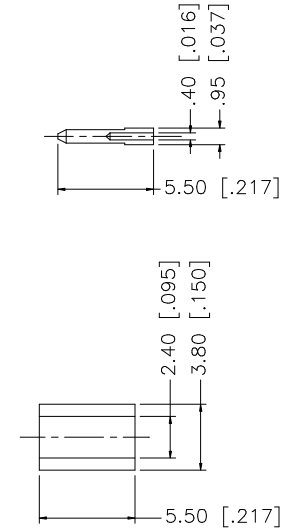
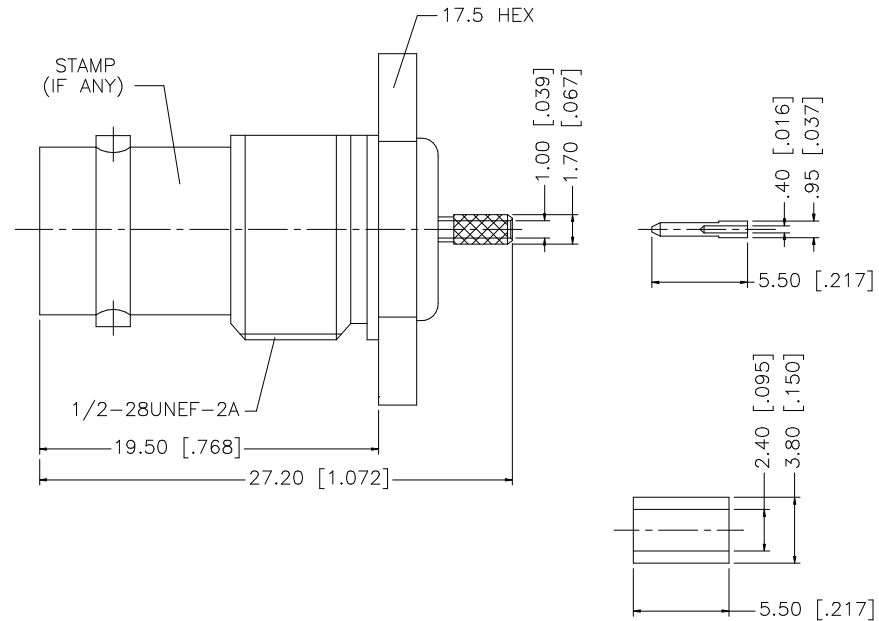
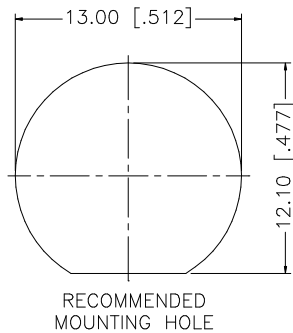
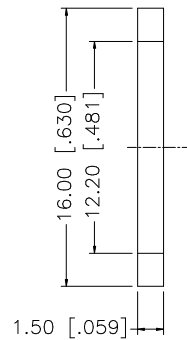
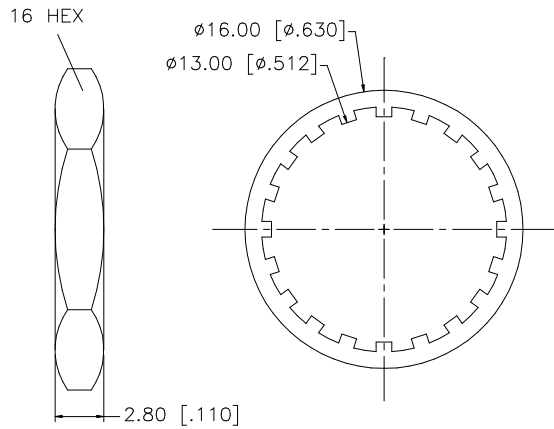
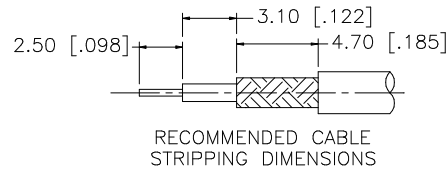


REV.	DATE	DESCRIPTION
A	09/07/04	UPDATE DRAWING FORMAT
B	10/02/06	REVISE CABLE DESCRIPTION TO RG-178/U AND 196/U



QTY	DESCRIPTION	MATERIAL	FINISH
8	FERRULE	COPPER	NICKEL
7	HEX NUT	BRASS	NICKEL
6	LOCK WASHER	BRASS	NICKEL
5	GASKET	RUBBER	RED
4	CONTACT PIN	BRASS	GOLD
3	CONTACT PIN	PHOS. BRONZE	GOLD
2	INSULATOR	TEFLON	NATURAL
1	BODY/HOUSING	BRASS	NICKEL

UNLESS OTHERWISE SPECIFIED DIMENSIONS ARE IN MILLIMETERS. DIMENSIONS IN [] ARE IN INCHES AND FOR CUSTOMER REFERENCE ONLY.

UNLESS OTHERWISE SPECIFIED TOLERANCES FOR MILLIMETERS ARE:
0.5 - 8mm ± 0.20mm
8 - 30mm ± 0.40mm
30 - 120mm ± 0.50mm

UNLESS OTHERWISE SPECIFIED TOLERANCES FOR INCHES ARE:
.020 - .315 = ± 0.007"
.315 - 1.180 = ± 0.015"
1.180 - 4.724 = ± 0.020"

DO NOT SCALE DRAWING

APPROVALS	DATE
DRAWN G.R.S.	10/02/06
CHECKED	
ISSUED	
SHEET 1 OF 1	
CAD FILE C:/112/112522.DWG	

Amphenol Connex

PART DESCRIPTION	PART NO.	DWG. NO.	REV.	SIZE	SCALE
BNC BULKHEAD CRIMP JACK (FOR RG-178/U, 196/U CABLE)	112522	112522.DWG	B	A	NA