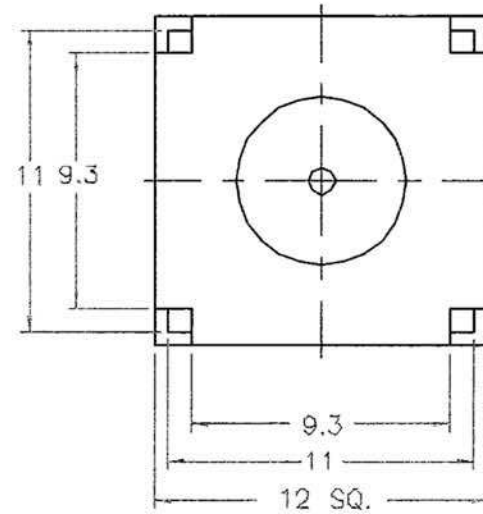
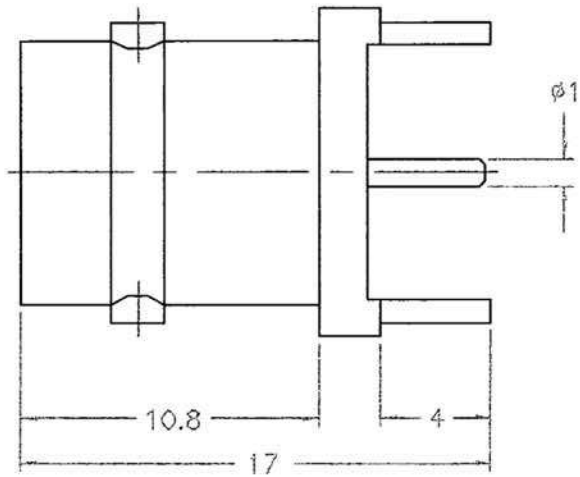



REV.	DATE	DESCRIPTION
A	07/14/97	CHANGE CONTACT MATERIAL



DESCRIPTION	MATERIAL	FINISH	DIMENSIONS ARE IN MILLIMETERS UNLESS OTHERWISE SPECIFIED TOLERANCES ARE:	APPROVALS	DATE					
1	BODY	BRASS	NICKEL			TITLE STRAIGHT P.C.B. MOUNT RECEPTACLE SIZE A FSCM NO. 99001 DWG. NO. 112406.DWG REV. A SCALE 4:1 PART NO. 112406 SHEET 1 OF 1				
2	INSULATOR	TEFLON	NATURAL	DRAWN	G.R.S.					07/14/97
3	CONTACT PIN	PHOS. BRONZE	GOLD	CHECKED						
4				ISSUED						
5										
6										
7										
8										

DO NOT SCALE DRAWING