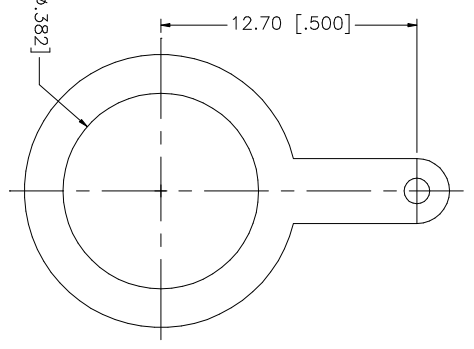
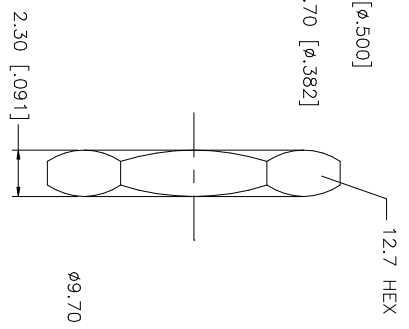
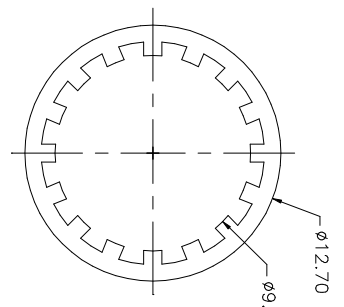
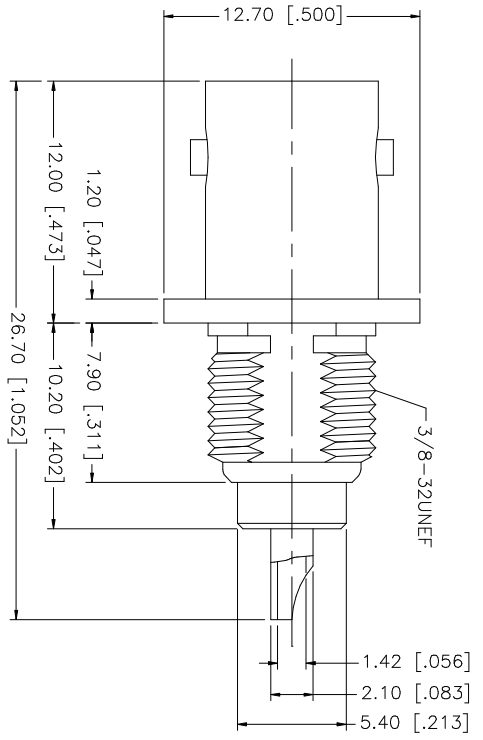
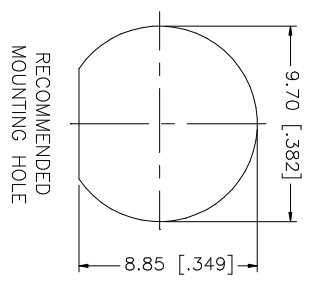


REV.	DATE	DESCRIPTION
A	01/07/04	UPDATE DRAWING FORMAT



QTY	FINISH	MATERIAL	DESCRIPTION
1	NICKEL	BRASS	INSULATOR
1	NICKEL	BRASS	LOCK WASHER
1	NICKEL	BRASS	HEX NUT
1	NICKEL	BRASS	SOLDER TAB
1	NICKEL	BRASS	CONTACT PIN
1	NICKEL	BRASS	BODY

APPROVALS	DATE
DRAWN G.R.S.	01/07/04
CHECKED	
ISSUED	
SHEET 1 OF 1	

PART DESCRIPTION	PART NO.
BNC BULKHEAD RECEPTACLE JACK (50 ohms)	112424

DO NOT SCALE DRAWING	CAD FILE	DWG. NO.	REV	SIZE	SCALE
	C:/112/112424.DWG	112424.DWG	A	A	NA

Amphenol Connex

BNC BULKHEAD RECEPTACLE JACK
(50 ohms)

112424