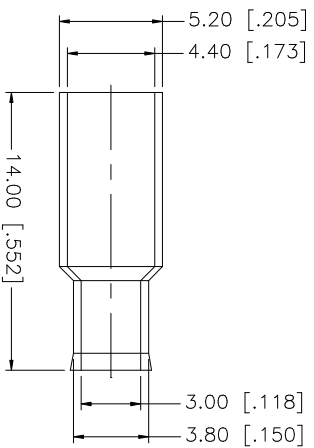
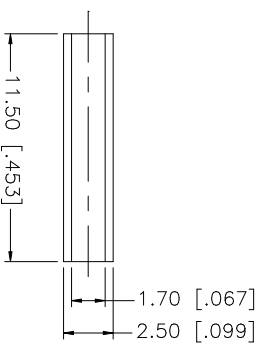
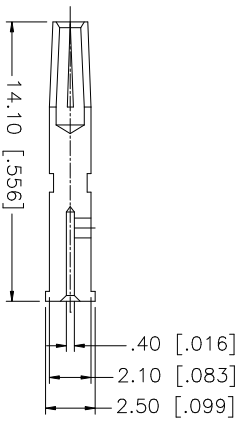
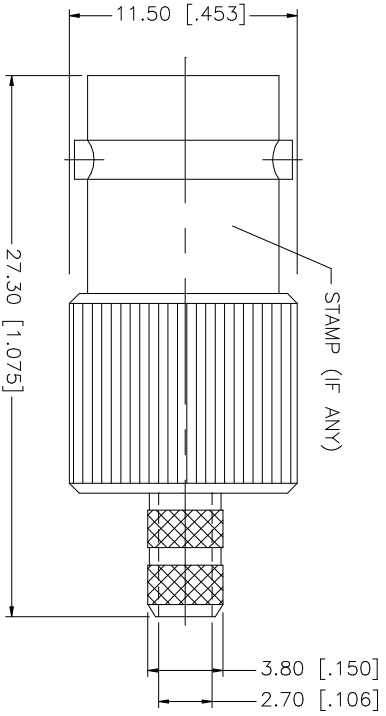
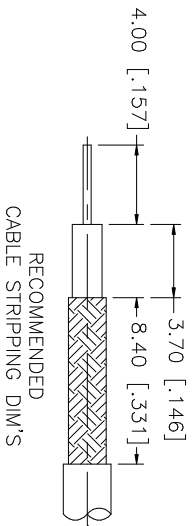


REV.	DATE	DESCRIPTION
B	04/04/03	UPDATE DRAWING FORMAT



CRIMP NOTES:

1. CRIMPED FERRULE
HEX CRIMP SIZE .178"
2. CRIMPED CONTACT PIN
HEX CRIMP SIZE .068"

Amphenol **Comnex**

PART DESCRIPTION
BNC CRIMP JACK
(FOR RG-179/U CABLE) 75ohm

PART NO. 112161

DESCRIPTION	MATERIAL	FINISH	QTY	DO NOT SCALE DRAWING	APPROVALS	DATE	DWG. NO.	REV.	SIZE	SCALE
1	HOUSING/BODY	BRASS	NICKEL	1			112161.DWG	B	A	NA
2	INSULATOR	DELRIIN	NATURAL	1						
3	CONTACT PIN	PHOS. BRONZE	GOLD	1						
4	SLEEVE	DELRIIN	NATURAL	1						
5	FERRULE	COPPER	NICKEL	1						
6										
7										
8										

UNLESS OTHERWISE SPECIFIED DIMENSIONS ARE IN MILLIMETERS. DIMENSIONS IN [] ARE IN INCHES AND FOR CUSTOMER REFERENCE ONLY.
UNLESS OTHERWISE SPECIFIED TOLERANCES FOR MILLIMETERS ARE:
0.5 - 8mm ± 0.20mm
8 - 30mm ± 0.40mm
30 - 120mm ± 0.50mm
UNLESS OTHERWISE SPECIFIED TOLERANCES FOR INCHES ARE:
.020 - .315 = ± 0.002"
.315 - 1.180 = ± 0.015"
1.180 - 4.724 = ± 0.020"

CAD FILE C:/112/112161.DWG