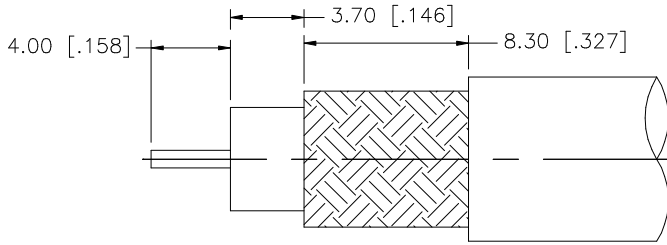
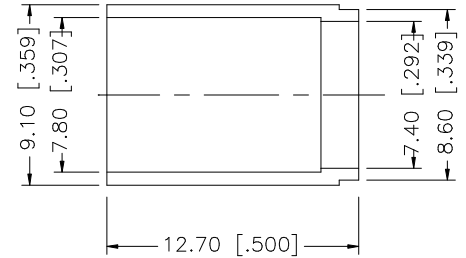
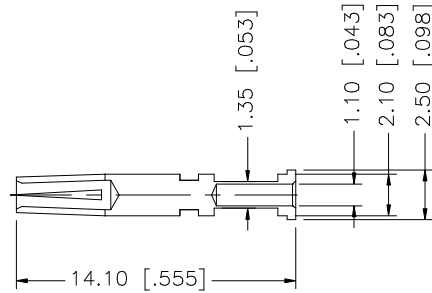
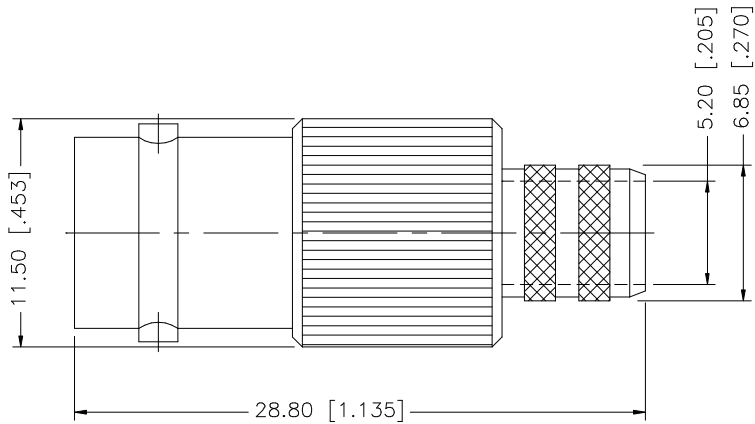


| REV. | DATE     | DESCRIPTION           |
|------|----------|-----------------------|
| A    | 03/18/05 | UPDATE DRAWING FORMAT |



RECOMMENDED  
CABLE STRIPPING DIM'S



NOTE:  
USE .320 HEX DIE SET  
FOR OUTER CRIMP.  
CONNEX P/N 47-10100  
IDEAL P/N 30-503

| DESCRIPTION | MATERIAL    | FINISH       | QTY       |
|-------------|-------------|--------------|-----------|
| 8           |             |              |           |
| 7           |             |              |           |
| 6           |             |              |           |
| 5           | FERRULE     | COPPER       | NICKEL 1  |
| 4           | CONTACT PIN | PHOS. BRONZE | GOLD 1    |
| 3           | INSULATOR   | TEFLON       | NATURAL 1 |
| 2           | BODY        | BRASS        | NICKEL 1  |
| 1           | HOUSING     | BRASS        | NICKEL 1  |

UNLESS OTHERWISE SPECIFIED DIMENSIONS ARE IN MILLIMETERS. DIMENSIONS IN [ ] ARE IN INCHES AND FOR CUSTOMER REFERENCE ONLY.

UNLESS OTHERWISE SPECIFIED TOLERANCES FOR MILLIMETERS ARE:  
0.5 - 8mm ± 0.20mm  
8 - 30mm ± 0.40mm  
30 - 120mm ± 0.50mm

UNLESS OTHERWISE SPECIFIED TOLERANCES FOR INCHES ARE:  
.020 - .315 = ± 0.007"  
.315 - 1.180 = ± 0.015"  
1.180 - 4.724 = ± 0.020"

DO NOT SCALE DRAWING

| APPROVALS         | DATE     |
|-------------------|----------|
| DRAWN G.R.S.      | 03/18/05 |
| CHECKED           |          |
| ISSUED            |          |
| SHEET 1 OF 1      |          |
| CAD FILE          |          |
| C:/112/112965.DWG |          |

| PART DESCRIPTION                                |       |
|-------------------------------------------------|-------|
| <b>Amphenol Connex</b>                          |       |
| BNC CRIMP JACK<br>(FOR RG-6 BELDEN 1694A CABLE) |       |
| PART NO.                                        |       |
| 112965                                          |       |
| DWG. NO.                                        | REV.  |
| 112965.DWG                                      | A     |
| SIZE                                            | SCALE |
| A                                               | NA    |