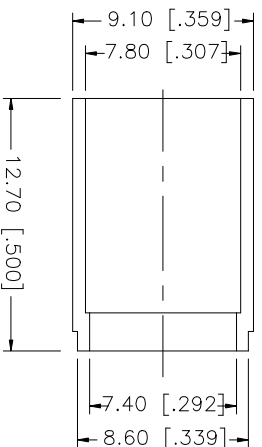
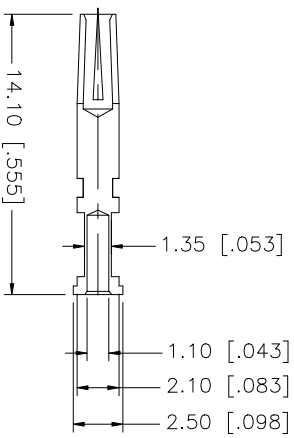
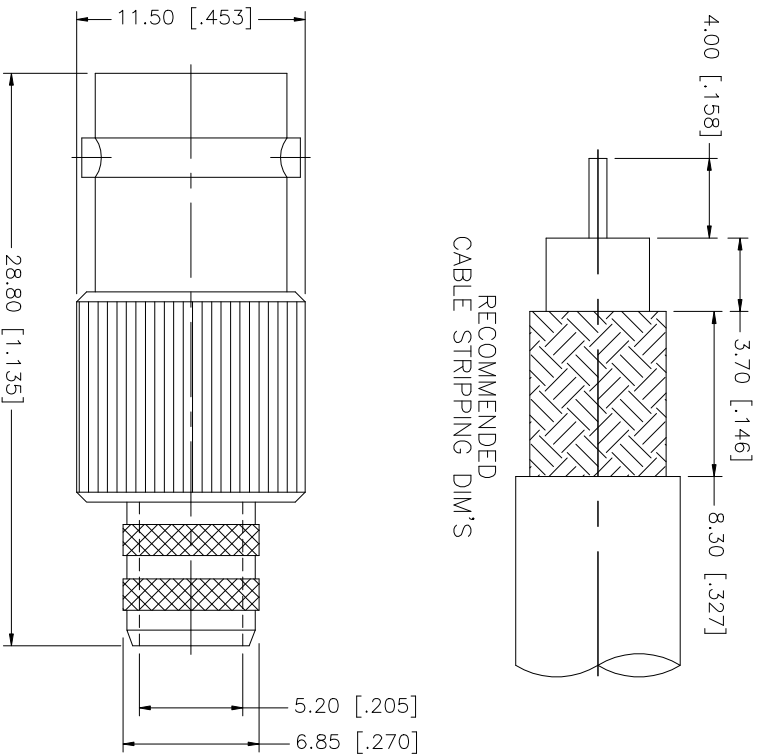


REV.	DATE	DESCRIPTION
NC	12/22/97	INITIAL RELEASE
A	02/20/06	UPDATE DRAWING FORMAT

RECOMMENDED
CABLE STRIPPING DIM'S



- NOTES:
1. CRIMPED FERRULE HEX CRIMP SIZE .255"
 2. CRIMPED CONTACT PIN HEX CRIMP SIZE .068"

REV.	DATE	DESCRIPTION
8		
7		
6		
5		
4		
3		
2		
1		

DESCRIPTION	MATERIAL	FINISH	QTY
1	COPPER	NICKEL	1
2	PHOS. BRONZE	GOLD	1
3	TEFLON	NATURAL	1
4	BRASS	NICKEL	1
5	BRASS	NICKEL	1

UNLESS OTHERWISE SPECIFIED, DIMENSIONS ARE IN MILLIMETERS. DIMENSIONS IN INCHES ARE FOR CUSTOMER REFERENCE ONLY.

UNLESS OTHERWISE SPECIFIED, TOLERANCES FOR MILLIMETERS ARE:

0.5 - 8mm ± 0.20mm
8 - 30mm ± 0.40mm
30 - 120mm ± 0.50mm

UNLESS OTHERWISE SPECIFIED, TOLERANCES FOR INCHES ARE:

.020 - .315 = ± 0.007"
.315 - 1.180 = ± 0.015"
1.180 - 4.724 = ± 0.020"

DO NOT SCALE DRAWING

APPROVALS	DATE
DRAWN G.R.S.	02/20/06
CHECKED	
ISSUED	
SHEET 1 OF 1	

CAD FILE C:/112/112966.DWG

DWG. NO. 112966.DWG

REV. A

SIZE A

SCALE NA

Amphenol Connex

BNC CRIMP JACK
(FOR RG-6 PLENUM/BELDEN 1695A CABLE)

PART NO. 112966