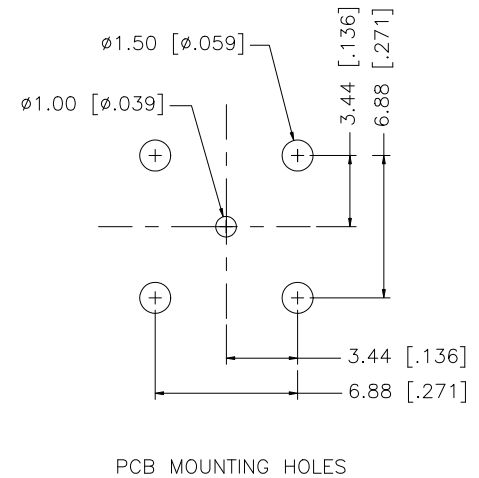
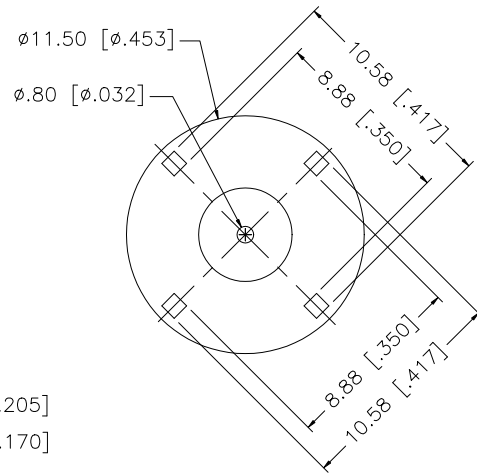
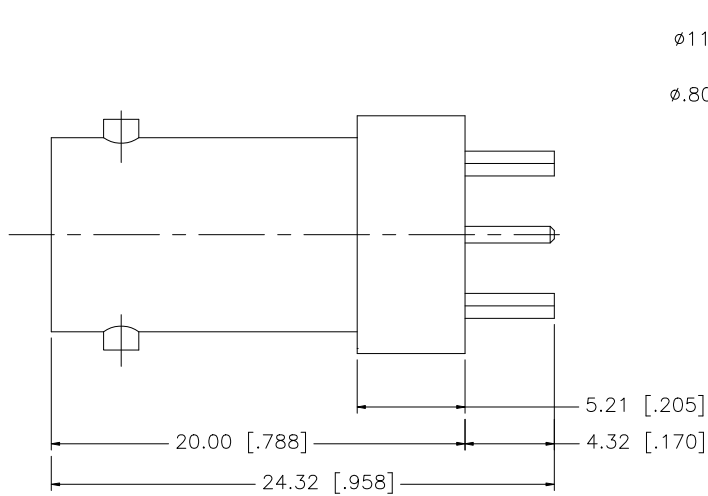


REV.	DATE	ECR NO.	DESCRIPTION
NC	03/20/03	-	INITIAL RELEASE
A	01/21/09	100076	REVISE BODY PLATING TO NICKEL
B	02/05/09	-	ADD NOTE 1.



NOTES:

1. VSWR 1.15 MAX @ 3GHz.

DESCRIPTION	MATERIAL	FINISH	QTY	UNLESS OTHERWISE SPECIFIED DIMENSIONS ARE IN MILLIMETERS. DIMENSIONS IN [] ARE IN INCHES AND FOR CUSTOMER REFERENCE ONLY.	APPROVALS	DATE	Amphenol Connex			
8							BNC P.C. MOUNT RECEPTACLE JACK (75 ohm)			
7										
6										
5										
4							PART DESCRIPTION			
3	CONTACT PIN	PHOS. BRONZE	GOLD	1			PART NO.			
2	INSULATOR	PTFE	NATURAL	1			112515-75			
1	BODY	BRASS	NICKEL	1			DWG. NO.			
							112515-75.DWG			
							REV. B			
							SIZE A			
							SCALE NA			
							DO NOT SCALE DRAWING			
							CAD FILE C:/112/112515-75.DWG			