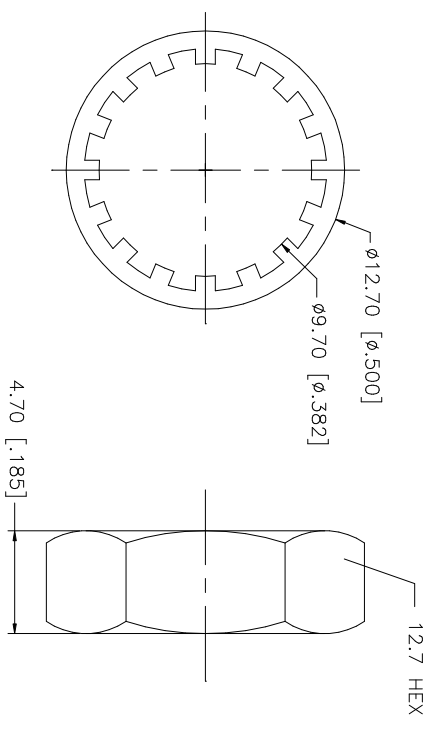
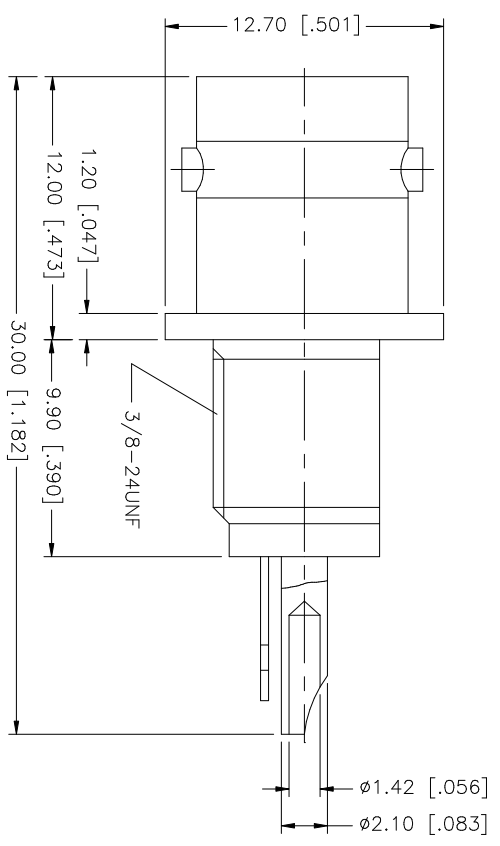
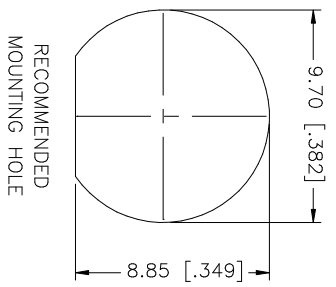


REV.	DATE	DESCRIPTION
A	11/19/03	UPDATE DRAWING FORMAT



NOTE:

1. MAX. PANEL THICKNESS = 3.2mm
2. RECOMMENDED TORQUE: A MAXIMUM 12 INCH-LBS MAY BE APPLIED ON HEX NUT WHEN MOUNTING CONNECTOR IN PANEL

UNLESS OTHERWISE SPECIFIED DIMENSIONS ARE IN MILLIMETERS DIMENSIONS IN INCHES ARE FOR CUSTOMER REFERENCE ONLY.	UNLESS OTHERWISE SPECIFIED DIMENSIONS ARE IN MILLIMETERS DIMENSIONS IN INCHES ARE FOR CUSTOMER REFERENCE ONLY.	UNLESS OTHERWISE SPECIFIED DIMENSIONS ARE IN MILLIMETERS DIMENSIONS IN INCHES ARE FOR CUSTOMER REFERENCE ONLY.	UNLESS OTHERWISE SPECIFIED DIMENSIONS ARE IN MILLIMETERS DIMENSIONS IN INCHES ARE FOR CUSTOMER REFERENCE ONLY.	UNLESS OTHERWISE SPECIFIED DIMENSIONS ARE IN MILLIMETERS DIMENSIONS IN INCHES ARE FOR CUSTOMER REFERENCE ONLY.	UNLESS OTHERWISE SPECIFIED DIMENSIONS ARE IN MILLIMETERS DIMENSIONS IN INCHES ARE FOR CUSTOMER REFERENCE ONLY.	UNLESS OTHERWISE SPECIFIED DIMENSIONS ARE IN MILLIMETERS DIMENSIONS IN INCHES ARE FOR CUSTOMER REFERENCE ONLY.	UNLESS OTHERWISE SPECIFIED DIMENSIONS ARE IN MILLIMETERS DIMENSIONS IN INCHES ARE FOR CUSTOMER REFERENCE ONLY.	UNLESS OTHERWISE SPECIFIED DIMENSIONS ARE IN MILLIMETERS DIMENSIONS IN INCHES ARE FOR CUSTOMER REFERENCE ONLY.	UNLESS OTHERWISE SPECIFIED DIMENSIONS ARE IN MILLIMETERS DIMENSIONS IN INCHES ARE FOR CUSTOMER REFERENCE ONLY.	UNLESS OTHERWISE SPECIFIED DIMENSIONS ARE IN MILLIMETERS DIMENSIONS IN INCHES ARE FOR CUSTOMER REFERENCE ONLY.
8										
7										
6										
5	LOCK WASHER	BRASS	NICKEL	1	0.3 - 8mm ± 0.20mm					
4	HEX NUT	BRASS	NICKEL	1	8 - 30mm ± 0.40mm					
3	CONTACT PIN	PHOS. BRONZE	GOLD	1	30 - 120mm ± 0.50mm					
2	INSULATOR	TEFLON	NATURAL	1	0.20 - .315 = ± 0.007"					
1	BODY	BRASS	NICKEL	1	.315 - 1.180 = ± 0.015"					
					1.180 - 4.724 = ± 0.020"					
	DESCRIPTION	MATERIAL	FINISH	QTY	DO NOT SCALE DRAWING					
		APPROVALS		DATE						
		DRAWN		G.R.S.	11/19/03					
		CHECKED								
		ISSUED								
		SHEET		1 OF 1						
		PART NO.		112432						
		PART DESCRIPTION		BNC BULKHEAD RECEPTACLE ISOLATED JACK - 75ohm						
		DWG. NO.		112432.DWG	REV. A		SIZE A		SCALE NA	

Amphenol Connex