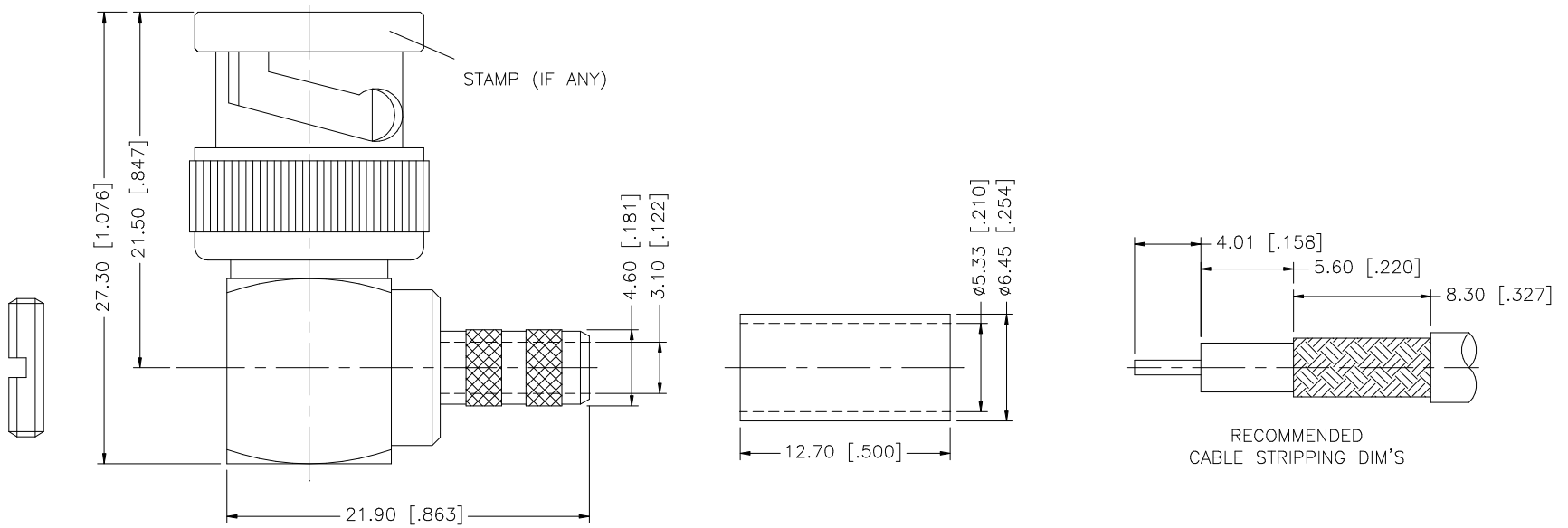


REV.	DATE	DESCRIPTION
NC	02/15/03	INITIAL RELEASE



NOTE:

1. CRIMPED FERRULE
HEX CRIMP SIZE .213"
2. CENTER CONTACT TO SOLDER

8					<small>UNLESS OTHERWISE SPECIFIED DIMENSIONS ARE IN MILLIMETERS. DIMENSIONS IN [] ARE IN INCHES AND FOR CUSTOMER REFERENCE ONLY.</small> <small>UNLESS OTHERWISE SPECIFIED TOLERANCES FOR MILLIMETERS ARE: 0.5 - 8mm ± 0.20mm 8 - 30mm ± 0.40mm 30 - 120mm ± 0.50mm</small> <small>UNLESS OTHERWISE SPECIFIED TOLERANCES FOR INCHES ARE: .020 - .315 = ± 0.007" .315 - 1.180 = ± 0.015" 1.180 - 4.724 = ± 0.020"</small>	APPROVALS	DATE	<h1 style="color: blue;">Amphenol Connex</h1>							
7				DRAWN		G.R.S.	02/15/03								
6				CHECKED				PART DESCRIPTION BNC R/A CRIMP PLUG (FOR RG-58/U, 141/U CABLE)							
5	NUT	BRASS	NICKEL	1		ISSUED									
4	FERRULE	COPPER	NICKEL	1		SHEET	1 OF 1		PART NO. 112162						
3	CONTACT PIN	BRASS	GOLD	1											
2	INSULATOR	DELTRIN	NATURAL	1	CAD FILE	C:/112/112162.DWG		DWG. NO.	112162.DWG	REV.	NC	SIZE	A	SCALE	NA
1	BODY	BRASS	NICKEL	1	DO NOT SCALE DRAWING										