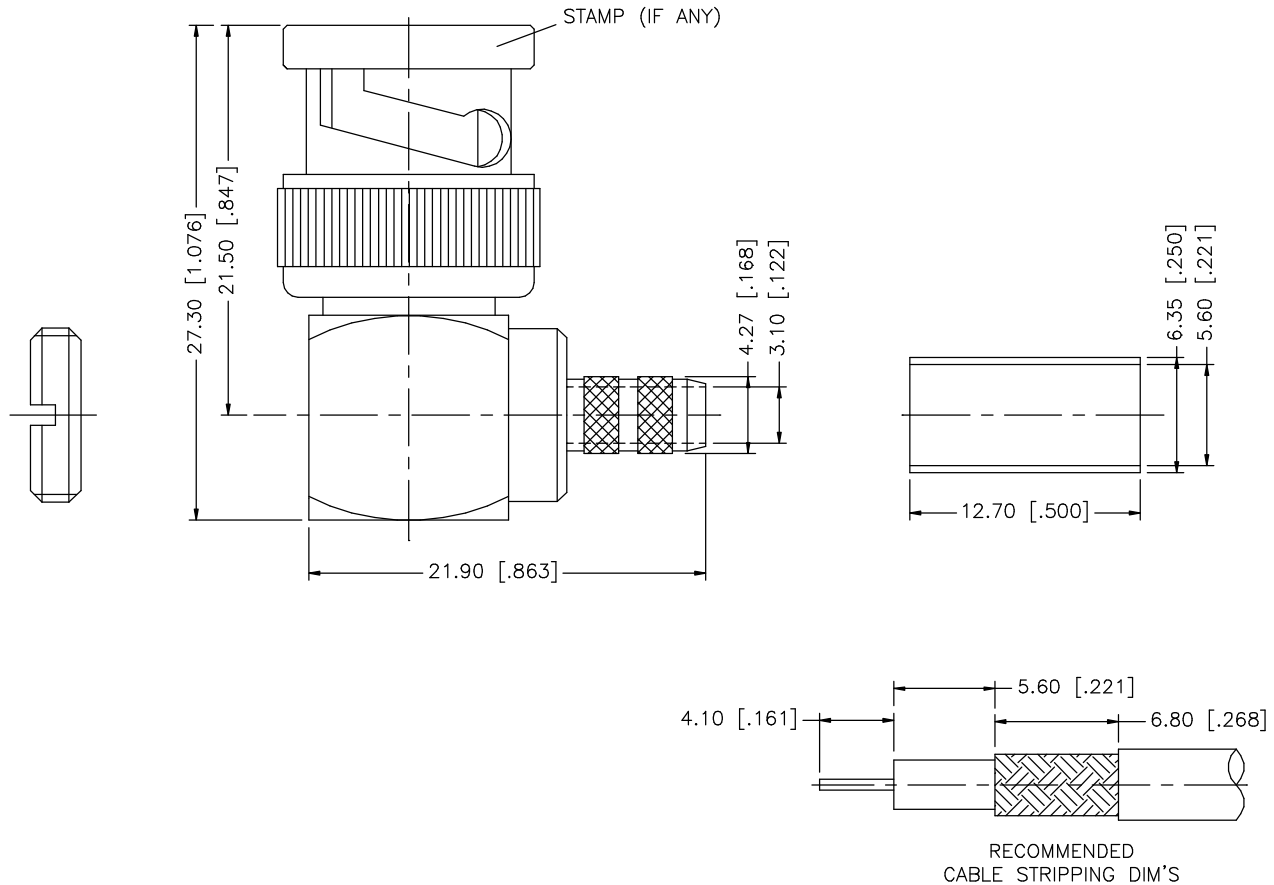


REV.	DATE	DESCRIPTION
A	06/05/03	UPDATE DRAWING FORMAT



				UNLESS OTHERWISE SPECIFIED DIMENSIONS ARE IN MILLIMETERS. DIMENSIONS IN [] ARE IN INCHES AND FOR CUSTOMER REFERENCE ONLY.	APPROVALS	DATE	Amphenol Connex						
8					DRAWN	G.R.S.					06/05/03	PART DESCRIPTION BNC R/A CRIMP PLUG (FOR RG-223/U, 55/U, 142A/U, 400/U)	
7					CHECKED			PART NO. 112526					
6					ISSUED							DWG. NO. 112526.DWG	
5	NUT	BRASS	NICKEL	1	SHEET	1 OF 1		REV.	A	SIZE	A		
4	FERRULE	COPPER	NICKEL	1	UNLESS OTHERWISE SPECIFIED TOLERANCES FOR MILLIMETERS ARE: 0.5 - 8mm ± 0.20mm 8 - 30mm ± 0.40mm 30 - 120mm ± 0.50mm UNLESS OTHERWISE SPECIFIED TOLERANCES FOR INCHES ARE: .020 - .315 = ± 0.007" .315 - 1.180 = ± 0.015" 1.180 - 4.724 = ± 0.020"				DO NOT SCALE DRAWING				
3	CONTACT PIN	BRASS	GOLD	1									CAD FILE C:/112/112526.DWG
2	INSULATOR	DELIRIN	NATURAL	1									
1	SHELL/BODY	BRASS	NICKEL	1									
DESCRIPTION				MATERIAL	FINISH	QTY							