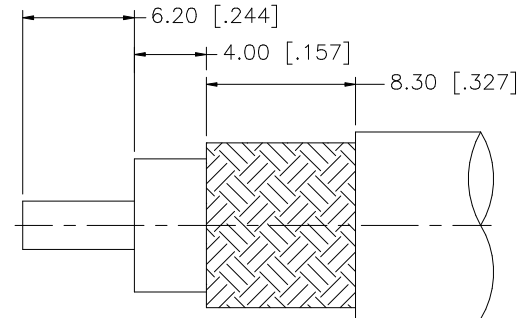
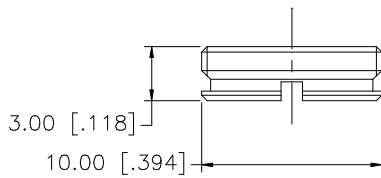
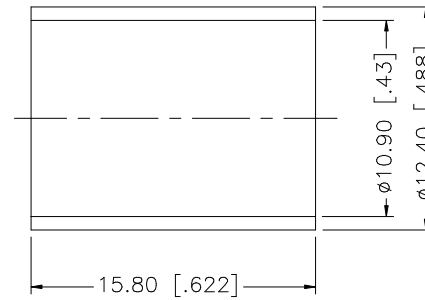
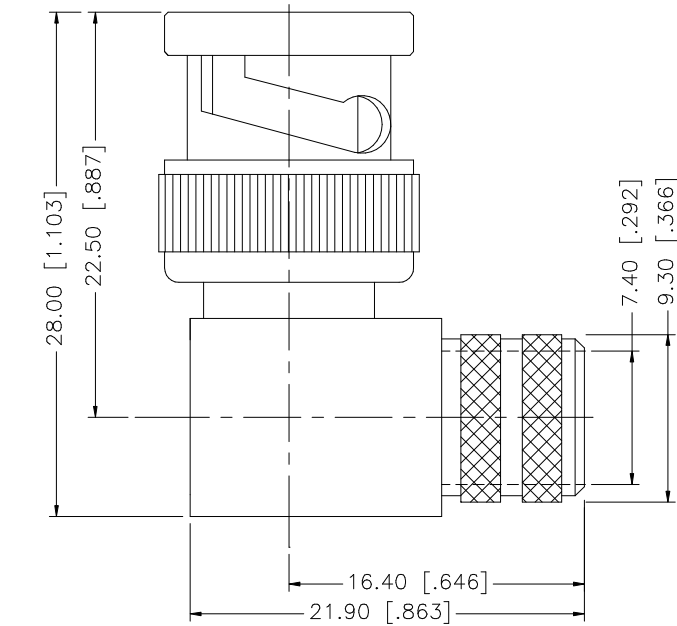


REV.	DATE	DESCRIPTION
NC	04/29/98	INITIAL RELEASE
A	07/20/05	UPDATE DRAWING FORMAT



RECOMMENDED
CABLE STRIPPING DIM'S

8					<p>UNLESS OTHERWISE SPECIFIED DIMENSIONS ARE IN MILLIMETERS. DIMENSIONS IN [] ARE IN INCHES AND FOR CUSTOMER REFERENCE ONLY.</p> <p>UNLESS OTHERWISE SPECIFIED TOLERANCES FOR MILLIMETERS ARE: 0.5 - 8mm ± 0.20mm 8 - 30mm ± 0.40mm 30 - 120mm ± 0.50mm</p> <p>UNLESS OTHERWISE SPECIFIED TOLERANCES FOR INCHES ARE: .020 - .315 = ± 0.007" .315 - 1.180 = ± 0.015" 1.180 - 4.724 = ± 0.020"</p> <p>DO NOT SCALE DRAWING</p>	APPROVALS	DATE	<h1 style="color: blue; margin: 0;">Amphenol Connex</h1>								
7				DRAWN		G.R.S.	07/20/05		PART DESCRIPTION <p style="text-align: center;">BNC R/A CRIMP PLUG (FOR RG-8/U, 213/U CABLE)</p>							
6				CHECKED						PART NO. <p style="text-align: center;">112594</p>						
5	COVER	BRASS	NICKEL	1		ISSUED										
4	FERRULE	BRASS	NICKEL	1		SHEET	1 OF 1		DWG. NO.	112594.DWG	REV.	A	SIZE	A	SCALE	NA
3	CONTACT PIN	BRASS	GOLD	1		CAD FILE		C:/112/112594.DWG								
2	INSULATOR	TEFLON	NATURAL	1												
1	BODY	BRASS	NICKEL	1												