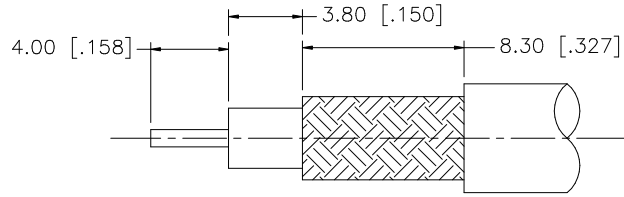
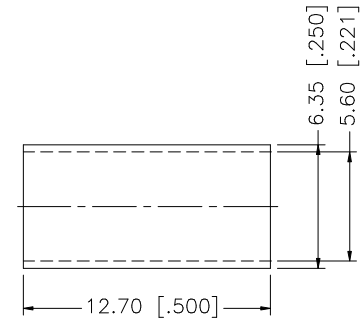
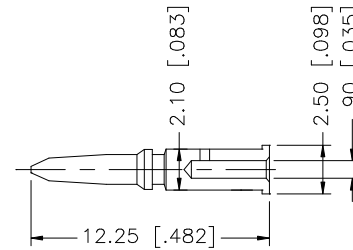
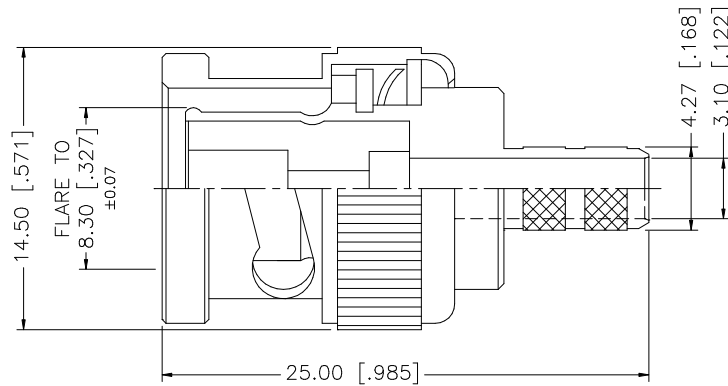


REV.	DATE	DESCRIPTION
A	04/05/03	UPDATE DRAWING FORMAT



RECOMMENDED CABLE STRIPPING DIM'S



NOTE:

1. CRIMPED FERRULE
HEX CRIMP SIZE .213"
2. CRIMPED CONTACT PIN,
HEX CRIMP SIZE .068"

8					UNLESS OTHERWISE SPECIFIED DIMENSIONS ARE IN MILLIMETERS. DIMENSIONS IN [] ARE IN INCHES AND FOR CUSTOMER REFERENCE ONLY.	APPROVALS	DATE	<h1 style="color: blue;">Amphenol Connex</h1>							
7					UNLESS OTHERWISE SPECIFIED TOLERANCES FOR MILLIMETERS ARE: 0.5 - 8mm ± 0.20mm 8 - 30mm ± 0.40mm 30 - 120mm ± 0.50mm	DRAWN	G.R.S.					04/05/03	PART DESCRIPTION BNC CRIMP PLUG (FOR RG-55/U, 142A/U, 223/U, 400/U)		
6	FERRULE	COPPER	NICKEL	1	UNLESS OTHERWISE SPECIFIED TOLERANCES FOR INCHES ARE: .020 - .315 = ± 0.007" .315 - 1.180 = ± 0.015" 1.180 - 4.724 = ± 0.020"	CHECKED			PART NO. 112514						
5	GASKET	RUBBER	RED	1		ISSUED							DWG. NO. 112514.DWG <table style="float: right; margin-left: 20px;"> <tr> <td>REV. A</td> <td>SIZE A</td> <td>SCALE NA</td> </tr> </table>		
REV. A	SIZE A	SCALE NA													
4	CONTACT PIN	BRASS	GOLD	1		SHEET	1 OF 1		CAD FILE C:/112/112514.DWG						
3	INSULATOR	DELTRIN	NATURAL	1									DO NOT SCALE DRAWING		
2	BODY	BRASS	NICKEL	1											
1	SHELL	ZINC DIE CAST	NICKEL	1											
	DESCRIPTION	MATERIAL	FINISH	QTY											